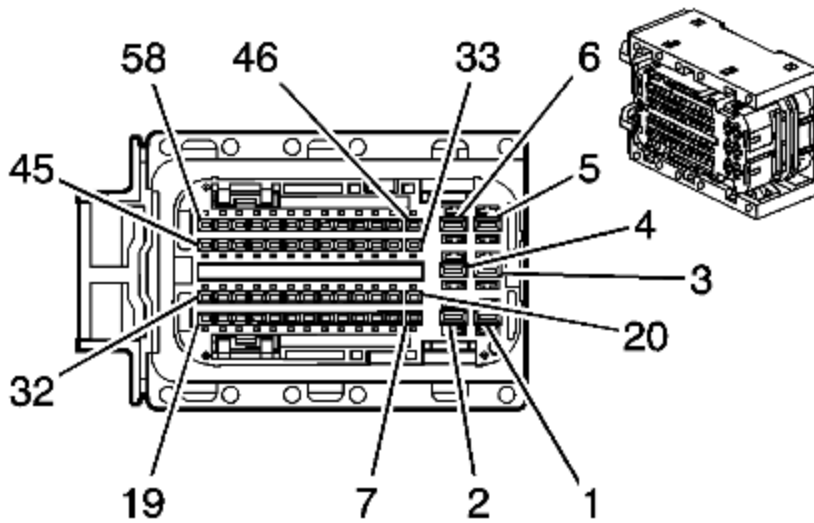


Engine Control Module (ECM) X2 (LNF)



Connector Part Information

- Harness Type: Engine
- OEM Connector: 1928404916
- Service Connector: 19115599
- Description: 58-Way F 280 Series, Sealed (BK)

Terminal Part Information

- Terminal/Tray: 1928498058/8
- Core/Insulation Crimp: E/1
- Release Tool/Test Probe: J-38125-561/J-35616-35 (VT)

Engine Control Module (ECM) X2 (LNF)

Pin	Wire	Circuit	Function
1	0.8 BK/WH	451	Ground
2	0.8 BK/WH	451	Ground
3	0.8 PK/BK	5290	Ignition 1 Voltage
4	0.8 BK/WH	451	Ground
5	0.8 PK/BK	5290	Ignition 1 Voltage
6	0.8 PK/BK	5290	Ignition 1 Voltage
7	0.5 GY/WH	3122	Heated Oxygen Sensor Heater Low Control Sensor 2
8	—	—	Not Used

Pin	Wire	Circuit	Function
9	0.35 TN	2759	Low Reference
10	0.35 D-GN/WH	465	Fuel Pump Relay Control
11	0.35 TN	5514	A/C Refrigerant Pressure Sensor Low Reference (C67)
12	—	—	Not Used
13	0.35 YE	492	MAF Sensor Signal
14	0.35 GY	2709	5-Volt Reference 1
15	0.35 D-BU	1161	APP Sensor 1 Signal
16-18	—	—	Not Used
19	0.5 WH	1310	EVAP Canister Vent Solenoid Control
20-21	—	—	Not Used
22	0.35 TN	2760	Low Reference
23	0.5 TN/WH	3121	Heated Oxygen Sensor Low Signal Sensor 2
24	—	—	Not Used
25	0.35 L-BU	1162	APP Sensor 2 Signal
26	—	—	Not Used
27	0.35 D-GN	890	Fuel Tank Pressure Sensor Signal
28-33	—	—	Not Used
34	0.35 BN	1271	Low Reference
35	0.35 GY	2700	5-Volt Reference 3 (C67)
36	0.35 PU	1589	Fuel Level Sensor Signal
37	0.35 L-GN	6338	Clutch Pedal Position Sensor Signal
38	0.5 PU	3120	Heated Oxygen Sensor High Signal Sensor 2
39	0.35 OG/BK	380	A/C Refrigerant Pressure Sensor Signal (C67)
40	0.5 PU	401	OSS Low Signal
41	0.35 BN	4	Accessory Voltage
42	0.5 TN/BK	2500	High Speed GMLAN Serial Data Bus (+)
43	—	—	Not Used

Pin	Wire	Circuit	Function
44	0.35 D-GN/WH	459	A/C Compressor Clutch Relay Control (C67)
45	0.35 D-BU	473	High Speed Cooling Fan Relay Control
46	0.35 D-GN	335	Cooling Fan Relay Control
47	0.35 PU	1272	Low Reference
48	0.35 TN	1274	5-Volt Reference 3
49	0.35 WH/BK	1164	5-Volt Reference 2
50	0.35 L-BU	6289	Induction Air Temperature Sensor Signal
51	—	—	Not Used
52	0.8 L-BU	20	Stop Lamp Supply Voltage
53	0.5 YE	400	OSS High Signal
54	0.5 PK	1039	Ignition 1 Voltage
55	0.5 TN	2501	High Speed GMLAN Serial Data BUS (—)
56	0.5 RD/WH	840	Battery Positive Voltage
57	0.35 PU/WH	6386	Starter Relay Coil Control
58	0.35 YE	5991	Powertrain Relay Coil Control