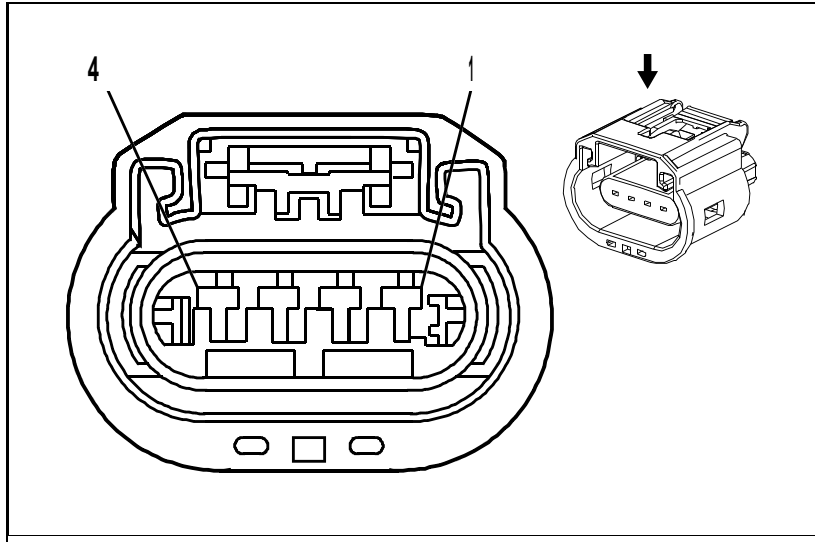


## Ignition Coil 2 (LNF)



### Connector Part Information

- Harness: Engine
- OEM: 7283-3392-30
- Service: 88988338
- Description: 4-Way F GT 150 Series (BK)

### Terminal Part Information

- Terminal/Tray: 7116-4102-08/9
- Core/Insulation Crimp: E/1
- Release Tool/Test Probe: 12094430/J-35616-2A (GY)

### Ignition Coil 2 (LNF)

Pin	Wire	Circuit	Function
1	0.8 BK	1350	Ground
2	0.35 BN/WH	2130	Low Reference
3	0.35 OG	2122	Ignition Control (2)
4	0.5 PK/BK	5292	Ignition 1 Voltage