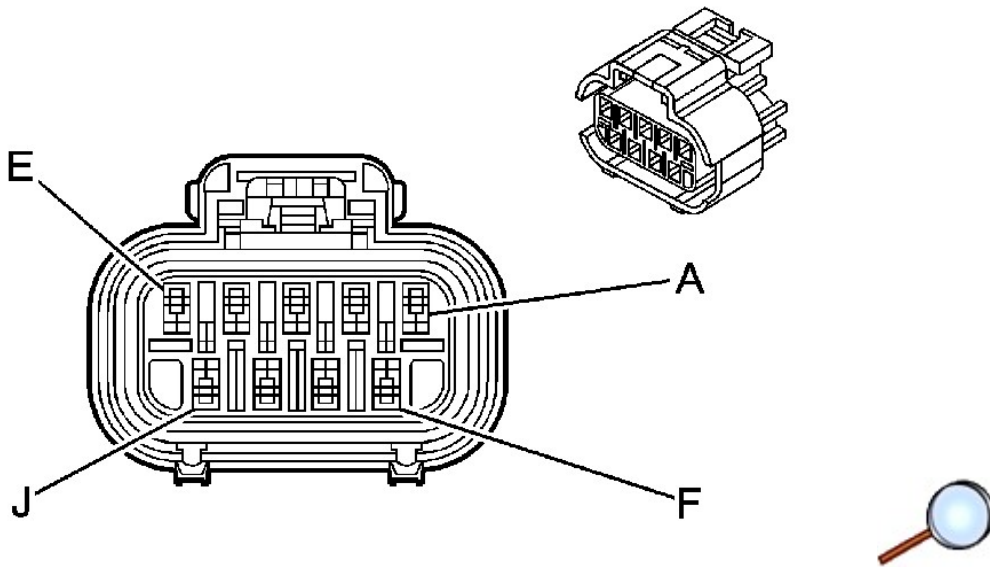


## Ignition Control Module (ICM)



### Connector Part Information

- OEM: 15464996
- Service: 88987910
- Description: 9-Way F GT 150 Series Sealed (BK)

### Terminal Part Information

- Pins: A, B, E — G
- Terminal/Tray: 12191819/8
- Core/Insulation Crimp: Pins A, E: 2/A
- Core/Insulation Crimp: Pins B, F, G: E/A
- Release Tool/Test Probe: 15315247/J-35616-2A (GY)

### Ignition Control Module (ICM)

Pin	Wire Color	Circuit No.	Function
A	PK/WH	5292	Ignition 1 Voltage
B	WH	423	IC Timing Control
C-D	—	—	Not Used
E	BK	450	Ground
F	BN/WH	633	CMP Sensor Signal
G	OG	406	IC Timing Control [B]
H-J	—	—	Not Used