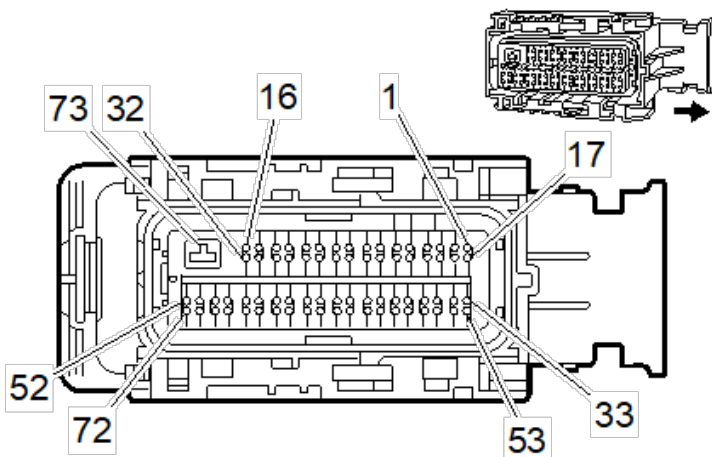


**Engine Control Module (ECM) X1 (LAP)**



**Connector Part Information**

- Harness Type: Engine
- OEM Connector: 15499466
- Service Connector: 88988931
- Description: 73-Way F MX123 Series, Sealed (BK)

**Terminal Part Information**

- Pin: 73
- Terminated Lead: 13575796
- Release Tool: J-38125-11A
- Diagnostic Test Probe: J-35616-4A (PU)
- Terminal/Tray: 7116-4151-02/9
- Core/Insulation Crimp: Not Available
- Pins: 1, 3-6, 13, 18, 21, 24, 25, 27, 30, 31, 34, 36, 37, 39, 41-44, 47, 49, 54-56, 58, 66-68
- Terminated Lead: 13575811
- Release Tool: J-38125-213
- Diagnostic Test Probe: J-35616-64B (L-BU)
- Terminal/Tray: 33467-0003/23
- Core/Insulation Crimp: H/H
- Pins: 19, 20, 70
- Terminated Lead: 13575811
- Release Tool: J-38125-213
- Diagnostic Test Probe: J-35616-64B (L-BU)
- Terminal/Tray: 33467-0003/23
- Core/Insulation Crimp: H/H

**Engine Control Module (ECM) X1 (LAP)**

Pin	Wire	Circuit	Function
1	0.35 D-BU	1161	APP Sensor 1 Signal

Pin	Wire	Circuit	Function
2	—	—	Not Available
3	0.35 BN	4	Accessory Voltage
4	—	—	Not Used
5	0.35 D-GN	335	Low Speed Cooling Fan Relay Control
6	0.35 D-GN/WH	465	Fuel Pump Relay Control
7-10	—	—	Not Available
11	0.35 OG/GN	7360	Low Reference (M86)
12	—	—	Not Available
13	0.35 YE	5991	Powertrain Relay Control
14-17	—	—	Not Available
18	0.35 L-BU	1162	APP Sensor 2 Signal
19	0.5 PK	1039	Ignition Voltage
20	0.5 RD/WH	840	Battery Positive Voltage
21	0.35 PU	1272	Low Reference
22-23	—	—	Not Available
24	0.35 TN	2759	Low Reference
25	0.35 OG/BK	380	A/C Refrigerant Pressure Sensor Signal (C67)
26	—	—	Not Available
27	0.35 BN/WH	419	MIL Control
28-29	—	—	Not Available
30	0.35 D-GN/WH	459	A/C Compressor Clutch Relay Control (C67)
31	—	—	Not Available
32	0.35 PU/WH	6386	Starter Control
33	—	—	Not Available
34	0.35 PU/WH	6356	VSS Signal Low
35-36	—	—	Not Available
37	0.35 YE	492	MAF Sensor Signal
38	—	—	Not Available

Pin	Wire	Circuit	Function
39	0.35 PU	1589	Fuel Level Sensor Signal
40	—	—	Not Available
41	0.35 BN	1271	Low Reference
42	0.35 D-GN	890	FTP Sensor Signal
43	0.35 TN/BK	2500	High Speed GMLAN Serial Data (+) 1
44	0.35 TN	2501	High Speed GMLAN Serial Data (-) 1
45	0.35 D-BU/WH	7361	5-Volt Reference 2 (M86)
46	—	—	Not Available
47	0.35 WH/BK	1164	5-Volt Reference 2
48	—	—	Not Available
49	0.35 D-BU	473	Coolant Fan Relay Output - Coil
50-53	—	—	Not Available
54	0.35 BN/WH	6354	VSS Signal High
55	0.35 L-BU	20	Stop Lamp Supply Voltage
56	0.35 D-GN	1433	PNP/Clutch Start Switch Signal (M86/MN5/MM5)
57	0.35 D-GN	6307	Park/Neutral Signal (MN5/MMS)
58	0.35 L-BU	6289	IAT Sensor Signal
59-60	—	—	Not Available
61	0.35 L-GN	6338	CPP Sensor Signal (M86)
62-65	—	—	Not Available
66	0.35 GY	2709	5-Volt Reference 1
67	0.35 TN	1274	5-Volt Reference 1
68	0.35 BN	436	Air Injection Reaction Pump Motor Relay Output - Coil (NU6)
69	—	—	Not Available
70	0.5 WH	1310	EVAP Canister Vent Solenoid Control
71-72	—	—	Not Available
73	0.8 PK/BK	5290	Ignition Voltage