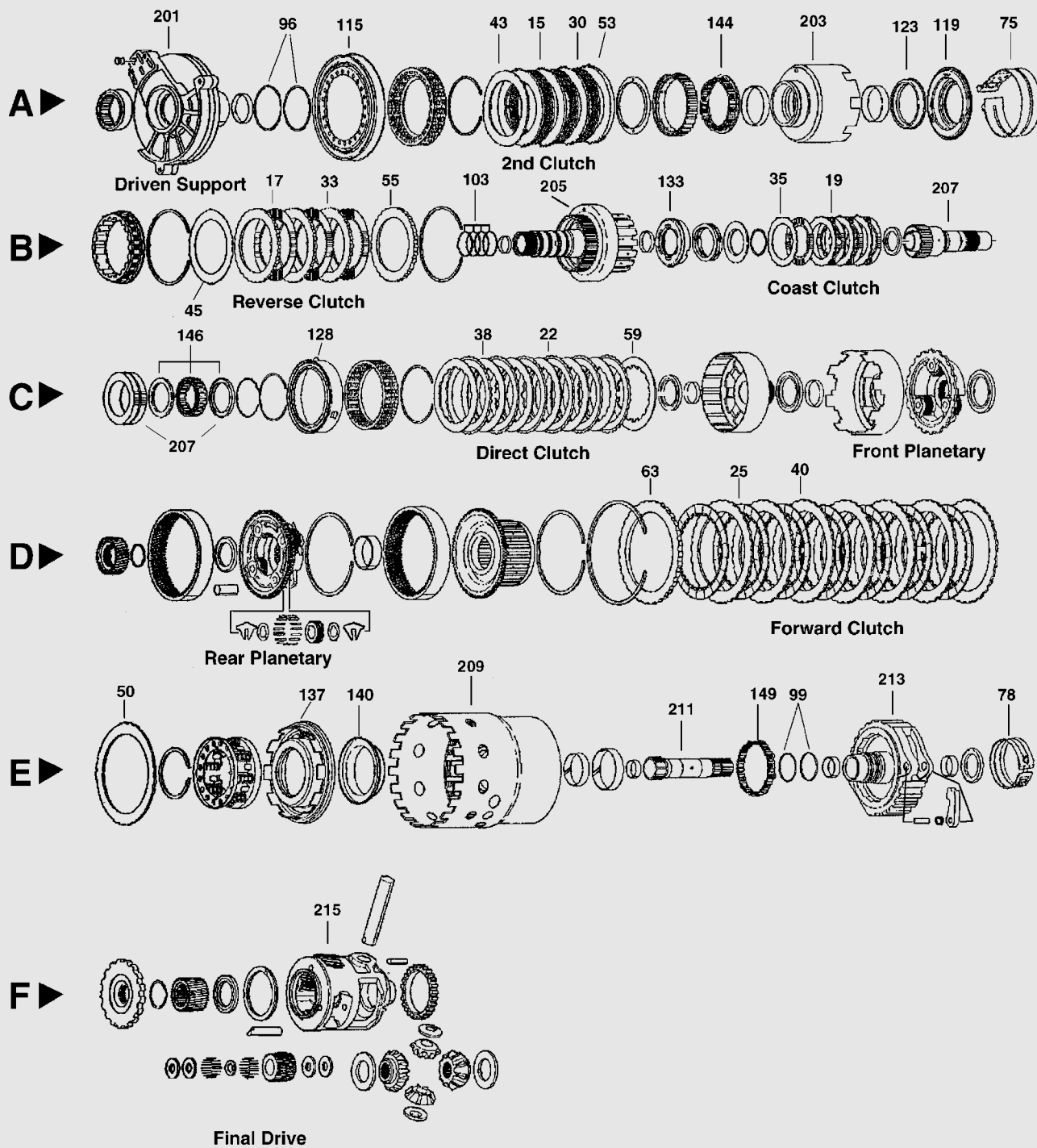
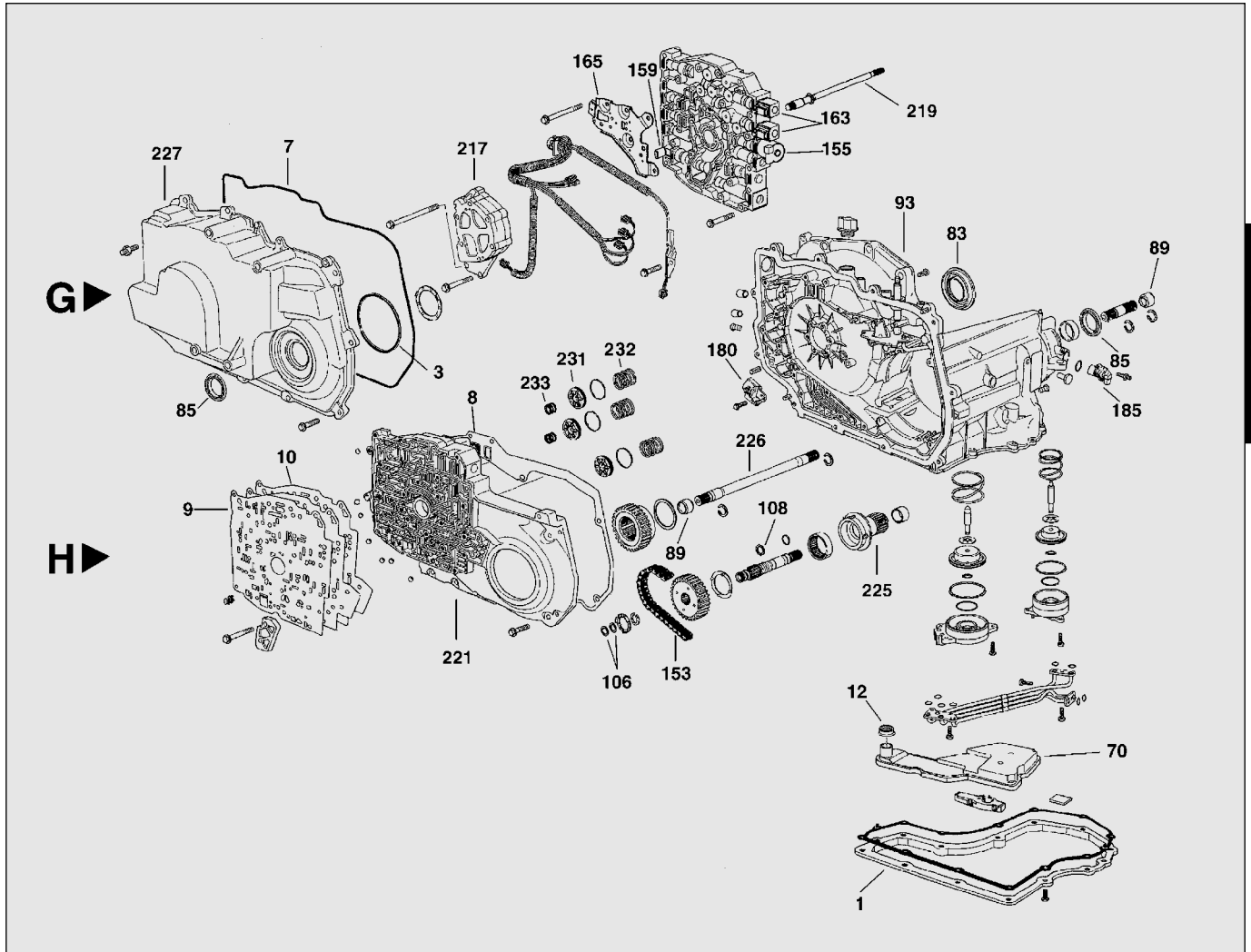


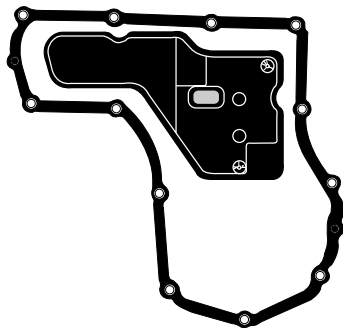
4T40E(MN4), 4T45E(MN5) - 4 SPEED TURBO HYDRAMATIC



4T40E(MN4), 4T45E(MN5) - 4 SPEED TURBO HYDRAMATIC



4T40E



12 Bolt Pan

Chevrolet Cavalier/Pontiac Sunfire -		
2.3L Quad 4		95-Up
Oldsmobile Achieva/Cutlass		98-Up
Chevrolet Malibu		98-Up
Saturn LS - 4 Cyl. - 4T40E(MN4)		00-Up
Saturn LS - 6 cyl. - 4T45E(MN5)		00-Up

REBUILDER KITS

DESCRIPTION	QTY.	YEAR	DELUXE KIT	MASTER O/H KIT	LESS STEELS KIT	OVERHAUL KIT	GASKET & SEAL KIT
Rebuilder Kits (1)	1	95-Up	K8600-R	K8600	K8600-LS	K86900	K86900-1
Rebuilder Kit (with bonded pistons)	1	95-Up				K86900M	

(1) MOK/LS contain bonded rubber pistons. K86900 does not.

4T40E(MN4), 4T45E(MN5) - 4 SPEED TURBO HYDRAMATIC

ILL.	DESCRIPTION	QTY.	YEAR	PART NO.	REFERENCE NO.
MISCELLANEOUS GASKETS & SEALS/PAN GASKETS					
1H	Gasket - Oil Pan - Molded Rubber	1	95-Up	13998R	24203590
3G	Gasket - Side Cover - Inner	1	95-Up	13994R	8685154
7G	Gasket - Side Cover - Outer	1	95-Up	13999R	24200478
8H	Gasket - Case Cover/Case	1	95-Up	13922	24201096
9H	Gasket - Valve Body Package	1	95-03	K13967	N.L.
9H	Gasket - Valve Body Package	1	04-Up	K13967A	N.L.
12H	Seal - Filter Neck	1	95-Up	13988	8684467
N.I.	O-Ring - Turbine Shaft	1	95-Up	13766	8636033
CLUTCH PLATES					
Order Frictions with 'B' prefix for Borg Warner brand, 'R' prefix for Raybestos brand.					
15A	Friction - 2nd	3	95-Up	86100	8684322
17B	Friction - Reverse	3	95-Up	86102	8684266
19B	Friction - Coast	4	95-Up	86108	8684282
22C	Friction - Direct	6	95-Up	86104	8684415
25D	Friction - Forward	7	95-Up	86106	8684445
30A	Steel - 2nd	3	95-Up	86101	24200790
33B	Steel - Reverse	3	95-97	86103	24200757
	Steel - Reverse - w/Holes	3	98-Up	86103A	24207081
35B	Steel - Coast	4	95-Up	86109	8685874
38C	Steel - Direct	6	95-Up	86105	8685879
40D	Steel - Forward	7	95-Up	86107	8684444
43A	Steel - 2nd - Waved	1	95-Up	86111	24200298
45B	Steel - Reverse - Waved	1	95-Up	86110	24200466
50E	Steel - Forward - Waved	1	95-Up	86112	24200467
PRESSURE PLATES					
53A	Backing - 2nd	1	95-98	86713	8684324
	Backing - 2nd	1	99-Up	86713A	24209271
55B	Backing - Reverse				
	- 5.0mm	1	95-Up	86714A	24200756
	- 4.5mm	1	95-Up	86714B	24200950
	- 5.64mm	1	95-Up	86714C	24200951
59C	Backing - Direct	1	95-Up	86715	8689875
63D	Backing - Forward	1	95-Up	86716	24200595
FILTERS/FILTER KITS					
Order Filter Kits with 'FK' prefix for Cork & Neoprene, 'FFK' prefix for Fibre.					
N.I.	Filter Kit (Includes 13988)	1	95-Up	FK86710	N.L.
70H	Filter (Purchase Seal 13988 Separately)	1	95-Up	86710	24221762
N.I.	Screen Actuator Feed	1	95-Up	86712	N.L.
BRAKE BANDS					
Order NEW Brake Bands with 'B' prefix for Borg Warner brand, 'R' prefix for Raybestos brand.					
75A	Band - 2-4	1	95-Up	86700	8684403
78E	Band - Low/Reverse	1	95-Up	66700E	8651614
METAL CLAD SEALS					
83H	Converter	1	95-Up	51200AV	8685515
85H	Axle - Left/Right	2	95-Up	86201	24201936
89H	Axle - Inner Sleeve - Left/Right	2	95-Up	86205	8684482
93H	Manual Lever	1	95-Up	51202A	8644709

4T40E(MN4), 4T45E(MN5) - 4 SPEED TURBO HYDRAMATIC

ILL.	DESCRIPTION	QTY.	YEAR	PART NO.	REFERENCE NO.	
BUSHINGS						
N.I.	Bushing Kit	1	95-Up	K86901	N.L.	
SEALING RINGS/RING KITS						
Order Sealing Rings with 'T' suffix for Teflon.						
N.I.	Ring Kit - Complete	1	95-Up	K86300	N.L.	
96A	Driven Sprocket Support	2	95-Up	86320	24201613	
99E	Forward	2	95-Up	86321	24204223	
103B	Direct - (Input)	4	95-Up	86322	8684272	
106H	Turbine Shaft - Rear (Small O.D. - Green)	2	95-97	51307	8643058	
106H	Turbine Shaft - Rear (Large O.D. - White)	2	97-Up	86307	N.L.	
108H	Turbine Shaft - Front	1	95-Up	51310	8637170	
N.I.	Pump Slide	1	95-Up	51305	8631417	
THRUST WASHERS/NEEDLE BEARINGS						
N.I.	Washer Kit	1	95-Up	K86400	N.L.	
HARD PARTS						
Hard Parts may only require the base number for OEM/Aftermarket New. A "N" suffix may also be required. Use a "D" prefix for Delco, or a "-R" suffix for remanufactured. Exceptions are listed individually. NOTE: A separate column is provided to indicate a primary or specific brand/type.						
ILL.	DESCRIPTION	BRAND	QTY.	YEAR	PART NO.	REF NO.
115A	Piston - Molded: - 2nd Clutch		1	95-Up	86660	24205042
119A	- Reverse Clutch - Input		1	95-Up	86661	24205040
123A	- Reverse Clutch - Input - Center		1	95-Up	86662	24205041
128C	- Direct Clutch		1	95-Up	86663	24205044
133B	- Coast Clutch		1	95-Up	86664	24205043
137E	- Forward Clutch - 2nd Design		1	95-Up	86665	24208641
140E	- Forward Clutch - Center Seal - 2nd Design		1	95-Up	86666	24208642
144A	Roller - 2nd Clutch		1	95-Up	86930	930695
146C	Sprag - Input		1	95-Up	86940	24200773
149E	Roller - Low Clutch (16 Roller)		1	95-98	86960	7471005
149E	Roller - Low Clutch (17 Roller)		1	99-Up	86960A	7471035
153H	Drive Chain - 3/4" Wide - 4T40E		1	95-Up	86973	24200738
153H	Drive Chain - 7/8" Wide - 4T45E		1	97-Up	86973B	24210129
201A	Driven Sprocket Support Assembly		1	95-96	86949	N.L.
201A	Driven Sprocket Support Assembly (w/ check ball capsule)		1	97-Up	86949B	N.L.
203A	Reverse Drum Assembly		1	95-Up	86926	N.L.
205B	Direct/Coast Clutch Assembly		1	95-Up	86999	N.L.
207B/C	Input Sprag Assembly w/Inner Race & Shaft	R	1	95-Up	K86940	N.L.
209E	Forward Drum Assembly		1	95-Up	86964	N.L.
211E	Reaction Carrier Hub w/ Shaft	R	1	95-Up	86996	N.L.
213E	Forward Clutch Support - 16 Roller		1	95-98	86965	N.L.
213E	Forward Clutch Support - 17 Roller		1	99-Up	86965B	N.L.
215F	Differential Assembly w/Sun Gear & Ring: -34T - Sun Gear - Fine Pitch	R	1	95-Up	K86972	N.L.
	-38T - Sun Gear - Fine Pitch	R	1	95-Up	K86972A	N.L.
	-42T - Sun Gear - Fine Pitch	R	1	95-Up	K86972B	N.L.
217G	Pump Assembly	R	1	95-Up	86990	N.L.
219G	Shaft - Pump Drive		1	95-Up	86981	24218296
221H	Channel Plate	R	1	95-96	86995	N.L.
221H	Channel Plate	R	1	97-Up	86995B	N.L.
225H	Stator Shaft		1	95-Up	86985	N.L.
226H	Output Shaft		1	95-Up	86906	N.L.

4T40E

4T40E(MN4), 4T45E(MN5) - 4 SPEED TURBO HYDRAMATIC

ILL.	DESCRIPTION	BRAND	QTY.	YEAR	PART NO.	REF NO.
HARD PARTS (Cont.)						
227G	Side Cover (Casting #'s 24203607/24207184)	R	1	95-Up	86992	N.L.
231H	Accumulator Piston: 1-2/2-3/3-4		3	95-Up	86993	24210506
232H	Spring Accumulator Piston Return:					
	- 1-2		1	95-Up	86706	8685241
	- 2-3/3-4		2	95-Up	86706A	8685240
233H	Spring Accumulator Piston Cushion:					
	- 2-3/(1-2 [95-96])		2	95-Up	86706F	24203557
	-1-2 (w/insert)		1	97-Up	86706G	24207237
N.I.	Sleeve - Case Cover (1.105 ID) (1)		1	95-Up	86641	N.L.
N.I.	Bearing - Pump Shaft		1	95-Up	67922B	N.L.
N.I.	Drive/Driven Sprocket w/Shaft:- 35T/35T - 3/4" Wide:					
	- 35T/35T - 3/4" Wide	R	1	95-96	86977	N.L.
	- 32T/38T - 3/4" Wide	R	1	95-96	86977A	N.L.
	- 35T/35T - 7/8" Wide	R	1	97-Up	86977B	N.L.
	- 32T/38T - 7/8" Wide	R	1	97-Up	86977C	N.L.
N.I.	Turbine Shaft		1	95-Up	66930	8652382
N.I.	Planetary Package (Sunshell to Rear Ring Gear/Hub)	R	1	95-Up	K86950	N.L.
N.I.	Sleeve - TCC - Regular Apply (use w/ Reamer T-9177)		1	95-Up	86881	N.L.
<p>(1) 1995-96 uses small diameter sealing rings #51307. 97-Up uses large diameter sealing rings #86307. To service 97-Up using #86641 sleeve use #51307 rings.</p>						

ELECTRICAL PRODUCTS

Solenoid:						
155G	- EPC (Pressure Control)		1	95-02	5D-186	10478146
155G	- EPC (Pressure Control)		1	03-Up	5D-186B	24225825
159G	- TCC		1	95-Up	5A-187	24212690
163G	- Shift		2	95-Up	5D-188	24207236
165G	Pressure Switch Manifold		1	95-03	15D-176	24226580
	Pressure Switch Manifold		1	04-Up	15D-176B	24217544
N.I.	Manual Lever Position Switch:					
	- w/ Harness		1	95	15D-178	12450050
	- w/o Harness		1	96	15D-178A	11516166
	- w/o Harness		1	97-Up	15D-178B	12450161
Sensors:						
180G	Input Speed Various - 32/33 Tooth Design		1	95-Up	20D-132A	24218077
180G	Input Speed Various - 35 Tooth Design		1	97-Up	20D-132B	10456546
185G	Output Speed Various		1	95-Up	20D-134	24207507
N.I.	Module - Interceptor - (Raise Line Pressure, Modify TCC)		1	95-Up	30A-346	N.L.
N.I.	Wiring Harness - Internal w/connector		1	95-Up	35D-163	N.L.

MISCELLANEOUS PRODUCTS

N.I.	Technical Manual		1	-	86Y01	N.L.
N.I.	Reamer Kit (for 86881)		1	-	T-9177	N.L.

NOTES

