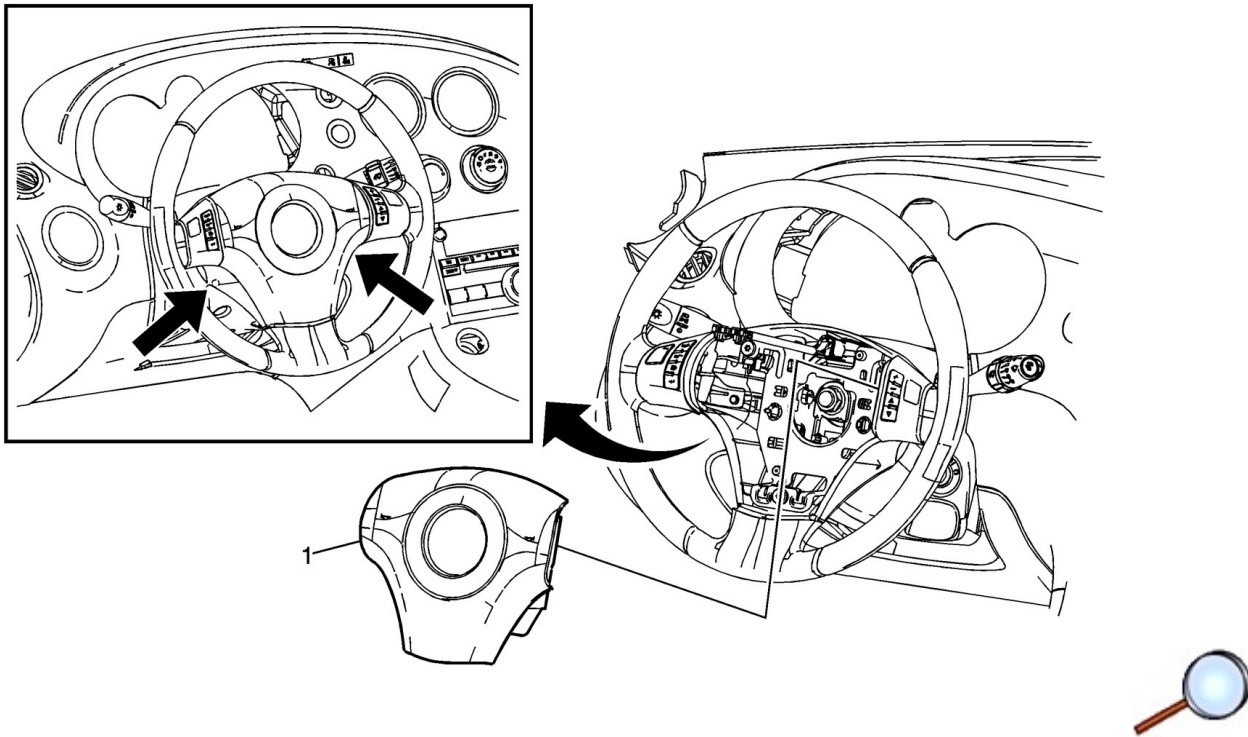


Airbag Steering Wheel Module Replacement



Airbag Steering Wheel Module Replacement

Callout	Component Name
<p>Caution: Refer to SIR Inflator Module Handling and Storage Caution.</p> <p>Caution: Refer to SIR Caution.</p> <p>Preliminary Procedures</p> <ol style="list-style-type: none"> 1. Disable the supplemental inflatable restraint (SIR) system. Refer to SIR Disabling and Enabling. 2. On the sides of the steering wheel are 2 openings. Insert a small blunt-ended punch, or equivalent, through the access openings on the left and right of the steering wheel. 3. Push the spring fastener inward through the access hole. Repeat the step for the other opening. 	
1	<p>Steering Wheel Inflatable Restraint Module</p> <p>Procedure</p> <ol style="list-style-type: none"> 1. Remove the connector position assurance (CPA) retainer. 2. Disconnect the electrical connectors. 3. Fully deploy the module before disposal. If the module was replaced under warranty, fully deploy and dispose of the module after the required retention period. Refer to Inflatable Restraint Module Handling and Scrapping.