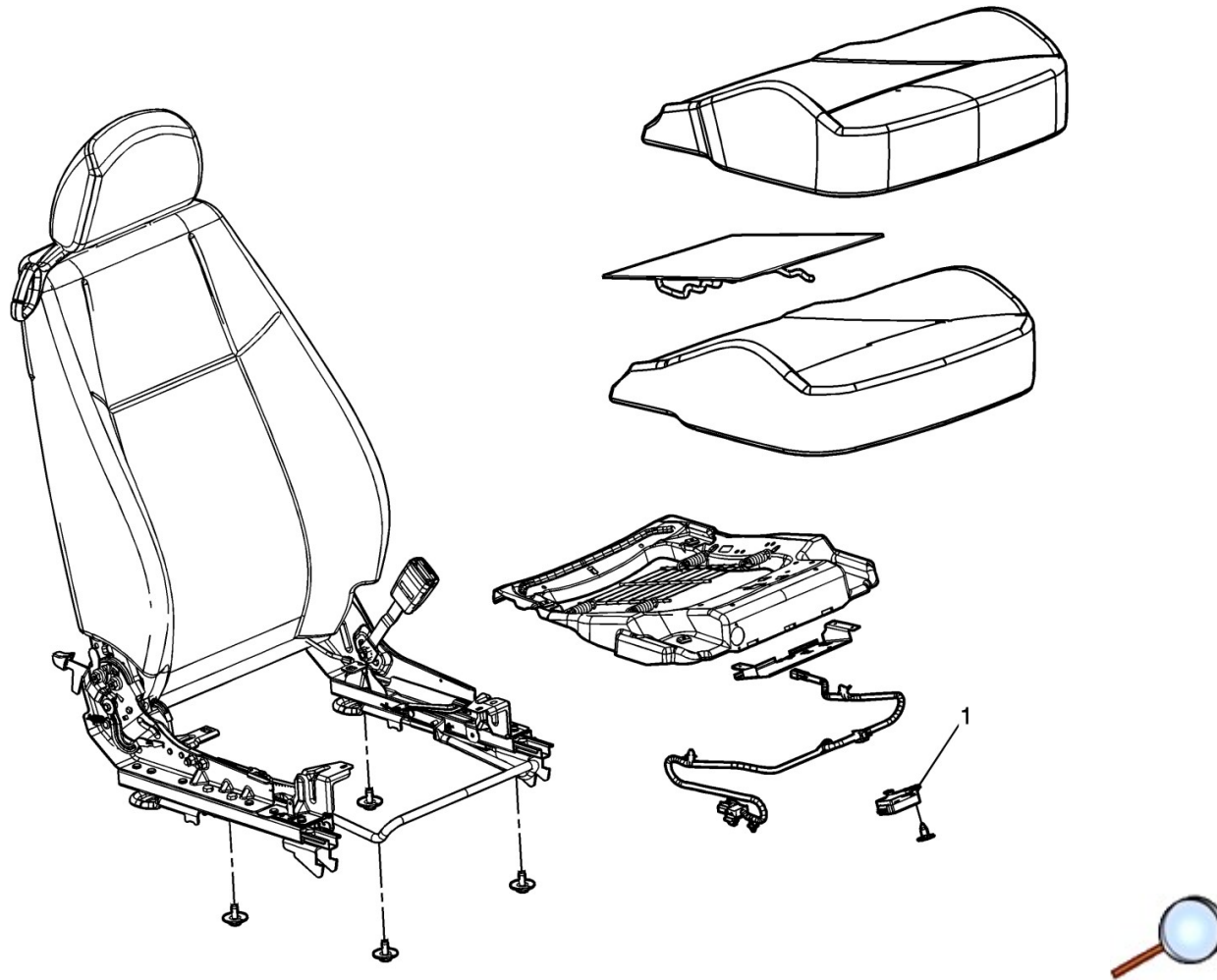


Front Seat Heater Control Module Replacement



Front Seat Heater Control Module Replacement

Callout	Component Name
Fastener Tightening Specifications: Refer to Fastener Tightening Specifications .	

Callout	Component Name
1	<p data-bbox="338 177 743 204">Seat Heater Module Assembly</p> <p data-bbox="338 215 401 243">Tip:</p> <ul data-bbox="415 274 1140 350" style="list-style-type: none"><li data-bbox="415 274 936 302">• Disconnect the electrical connectors.<li data-bbox="415 318 1140 350">• The heater module is located in the passenger seat. <p data-bbox="405 378 1428 406">Refer to Control Module References for programming and setup information.</p>