

Antilock Brake System Connector End Views

Table 1: [Electronic Brake Control Module \(EBCM\) \(JM4/JL9\)](#)

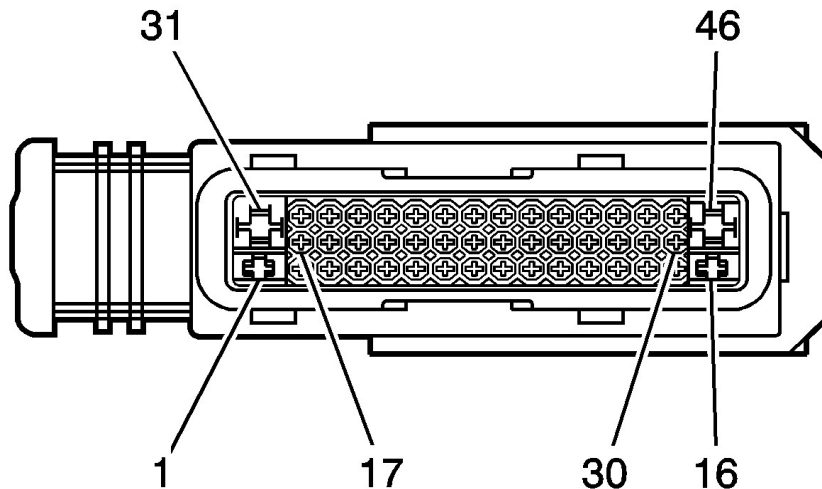
Table 2: [Wheel Speed Sensor \(WSS\) – LF](#)

Table 3: [Wheel Speed Sensor \(WSS\) – RF](#)

Table 4: [Wheel Speed Sensor \(WSS\) – LR](#)

Table 5: [Wheel Speed Sensor \(WSS\) – RR](#)

[Electronic Brake Control Module \(EBCM\) \(JM4/JL9\)](#)



Connector Part Information

- OEM: 15487791
- Service: See Catalog
- Description: 46-Way F Receptacle 1.5 2.8 4.8 Sealed

Terminal Part Information

- Pins: 1, 16
- Terminal/Tray: 60012931/21
- Core/Insulation Crimp: C/1
- Release Tool/Test Probe: 12122378/J-35616-4A (PU)
- Pins: 12, 13, 24, 27, 28, 39, 41, 42, 43
- Terminal/Tray: 60012931/21
- Core/Insulation Crimp: 2/1
- Release Tool/Test Probe: 15314260/J-35616-14
- Pins: 31, 46
- Terminal/Tray: 60040461/21
- Core/Insulation Crimp: D/3
- Release Tool/Test Probe: 12093647/J-35616-40
- Pins: 21, 22, 36, 37
- Terminal/Tray: See Terminal Repair Kit
- Core/Insulation Crimp: See Terminal Repair Kit

© 2018 General Motors. All rights reserved.

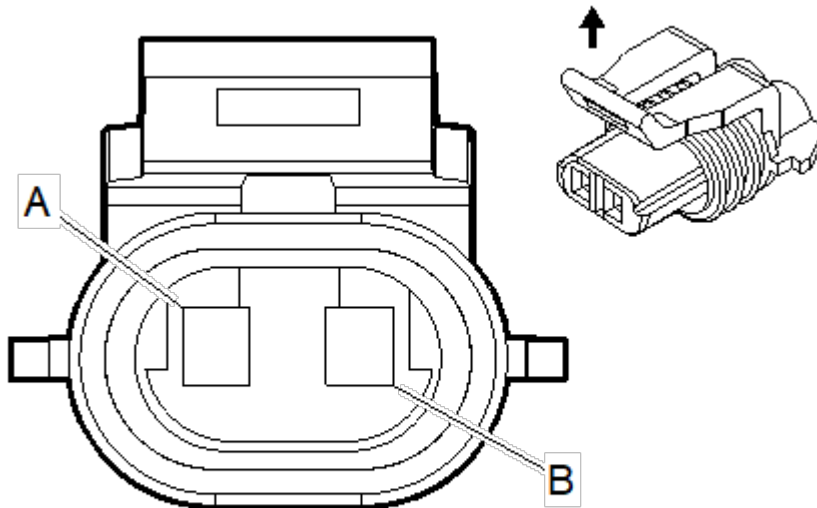
- Release Tool/Test Probe: See Terminal Repair Kit

Electronic Brake Control Module (EBCM) (JM4/JL9)

Pin	Wire Color	Circuit No.	Function
1	BK	350	Ground
2-11	—	—	Not Used
12	OG	885	Wheel Speed Sensor Low Reference Left Rear
13	TN	884	Wheel Speed Sensor Signal Left Rear
14-15	—	—	Not Used
16	PK	1439	Run/Crank Ignition 1 Voltage
17-20	—	—	Not Used
21	TN/BK	2500	High Speed GMLAN Serial Data (+) (1)
22	TN	2501	High Speed GMLAN Serial Data (-) (1)
23	—	—	Not Used
24	TN	833	Wheel Speed Sensor Low Reference Right Front
25-26	—	—	Not Used
27	L-BU	830	Wheel Speed Sensor Signal Left Front
28	YE	873	Left Front Wheel Speed Sensor Low Reference
29-30	—	—	Not Used
31	BK	350	Ground
32-35	—	—	Not Used
36	TN/BK	2500	High Speed GMLAN Serial Data (+) (1)
37	TN	2501	High Speed GMLAN Serial Data (-) (1)
38	—	—	Not Used
39	D-GN	872	Wheel Speed Sensor Signal Right Front

Pin	Wire Color	Circuit No.	Function
40	—	—	Not Used
41	L-BU	20	Stop Lamp Supply Voltage
42	BN	882	Wheel Speed Sensor Signal Right Rear
43	WH	883	Wheel Speed Sensor Low Reference Right Rear
44-45	—	—	Not Used
46	RD/BK	542	Battery Positive Voltage

Wheel Speed Sensor (WSS) – LF



Connector Part Information

- OEM: 12052644
- Service: See Catalog
- Description: 2-Way F Merti-Pack 150 Series Sealed (L-GY)

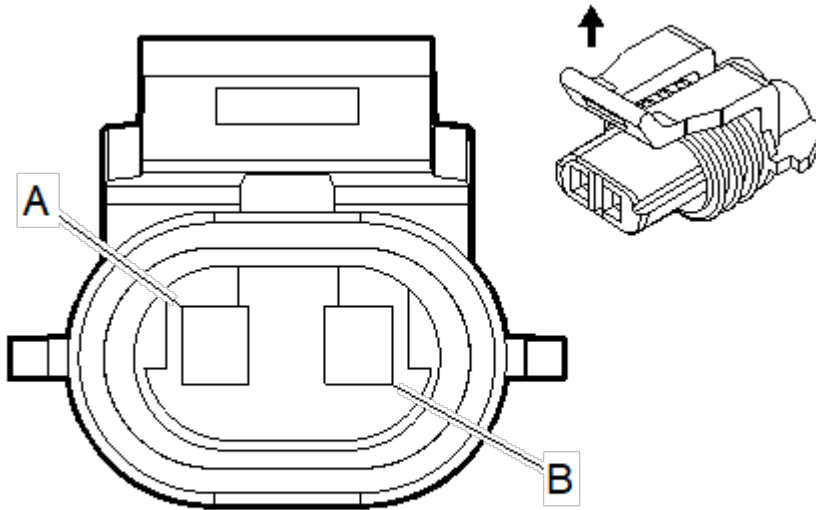
Terminal Part Information

- Terminal/Tray: See Terminal Repair Kit
- Core/Insulation Crimp: See Terminal Repair Kit
- Release Tool/Test Probe: See Terminal Repair Kit

Wheel Speed Sensor (WSS) – LF

Pin	Wire Color	Circuit No.	Function
A	D-GN	872	Left Front Wheel Speed Sensor Signal
B	TN	833	Left Front Wheel Speed Sensor Low Reference

Wheel Speed Sensor (WSS) – RF



Connector Part Information

- OEM: 12052644
- Service: See Catalog
- Description: 2-Way F Metri-Pack 150 Series Sealed (L-GY)

Terminal Part Information

- Terminal/Tray: See Terminal Repair Kit
- Core/Insulation Crimp: See Terminal Repair Kit
- Release Tool/Test Probe: See Terminal Repair Kit

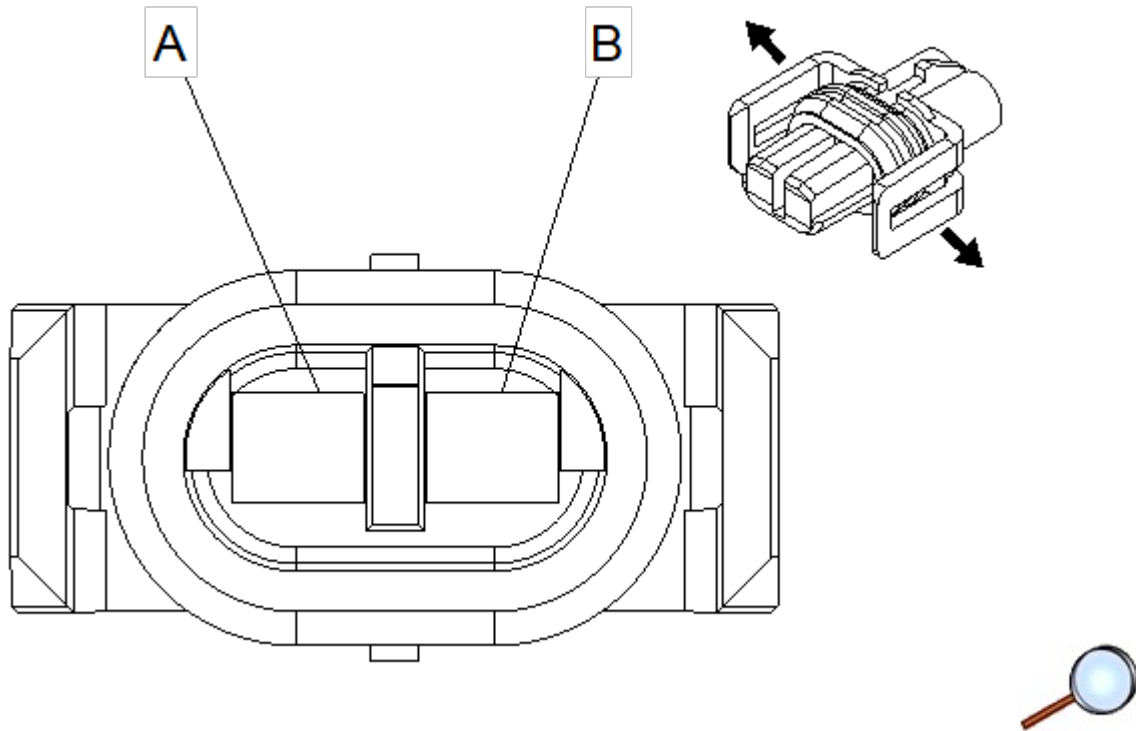
Wheel Speed Sensor (WSS) – RF

Pin	Wire Color	Circuit No.	Function
A	D-GN	872	Right Front Wheel Speed Sensor Signal
B	TN	833	Right Front Wheel Speed Sensor Low Reference

© 2018 General Motors. All rights reserved.

Pin	Wire Color	Circuit No.	Function
-----	------------	-------------	----------

Wheel Speed Sensor (WSS) – LR



Connector Part Information

- OEM: 15305168
- Service: See Catalog
- Description: 2-Way F Metri-Pack 150 Series Sealed (L-GY)

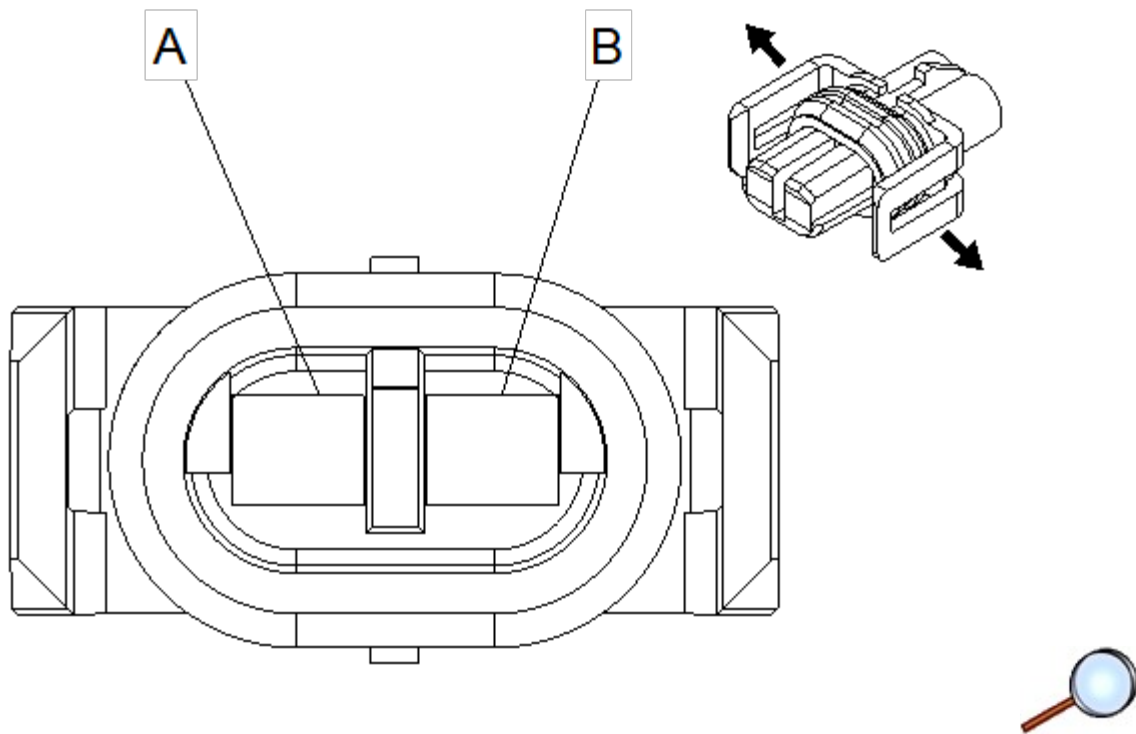
Terminal Part Information

- Terminal/Tray: See Terminal Repair Kit
- Core/Insulation Crimp: See Terminal Repair Kit
- Release Tool/Test Probe: See Terminal Repair Kit

Wheel Speed Sensor (WSS) – LR

Pin	Wire Color	Circuit No.	Function
A	BK	884	Left Rear Wheel Speed Sensor Signal
B	RD	885	Left Rear Wheel Speed Sensor Low Reference

Wheel Speed Sensor (WSS) – RR



Connector Part Information

- OEM: 15305168
- Service: See Catalog
- Description: 2-Way F Metri-Pack 150 Series Sealed (L-GY)

Terminal Part Information

- Terminal/Tray: See Terminal Repair Kit
- Core/Insulation Crimp: See Terminal Repair Kit
- Release Tool/Test Probe: See Terminal Repair Kit

Wheel Speed Sensor (WSS) – RR

Pin	Wire Color	Circuit No.	Function
A	BN	882	Right Rear Wheel Speed Sensor Signal
B	WH	883	Right Rear Wheel Speed Sensor Low Reference