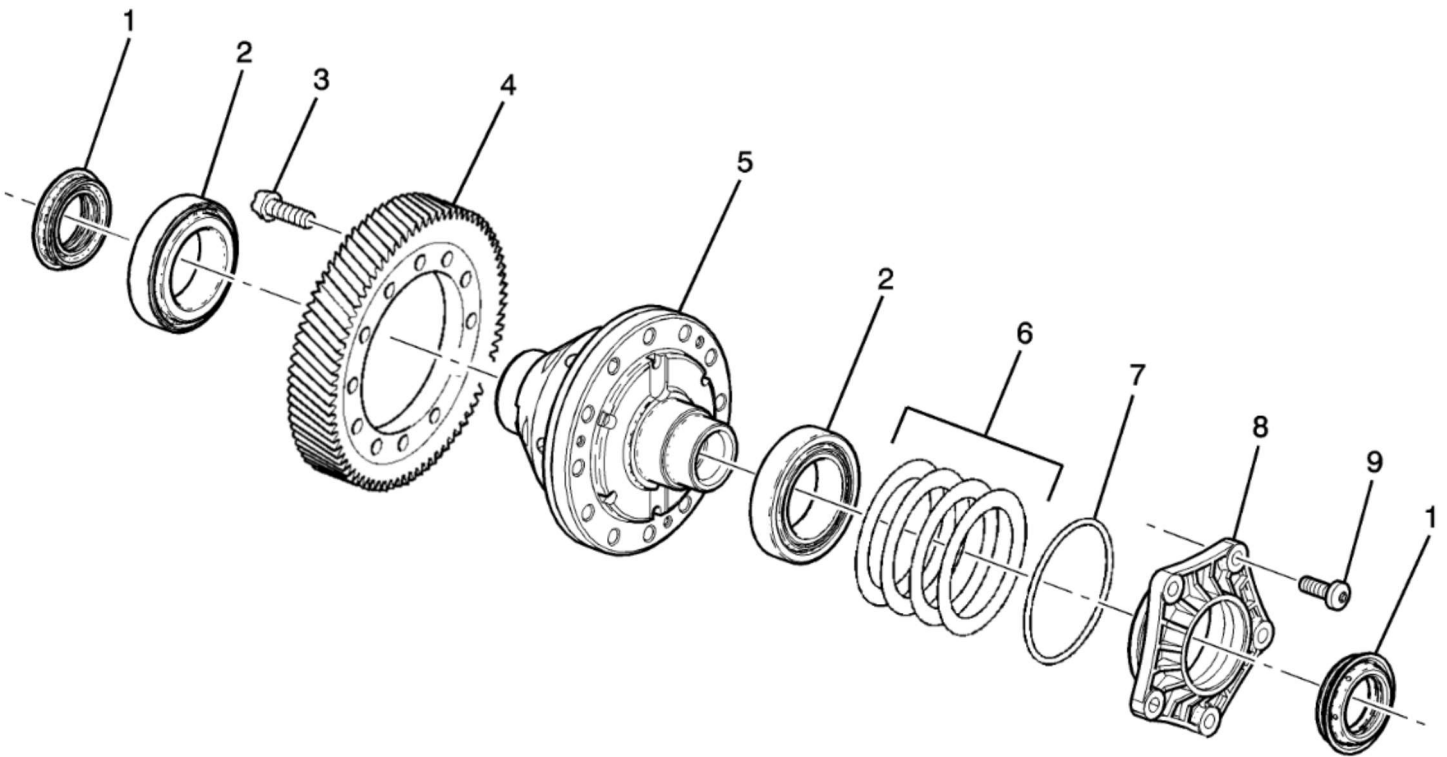


C - Chevrolet>2009>A - 1A1 - Cobalt>04 - 5-SPEED MANUAL TRANSMISSION>(MA04-045) 2005-2010 AP 5-SPEED MANUAL TRANSAXLE (MU3) PART 6 DIFFERENTIAL (LIMITED SLIP G85)

MA04-045 05/27/2009



Make: Chevrolet

Year: 2009

Model: Cobalt

C - Chevrolet>2009>A - 1A1 - Cobalt>04 - 5-SPEED MANUAL TRANSMISSION>(MA04-045) 2005-2010 AP 5-SPEED MANUAL TRANSAXLE (MU3) PART 6 DIFFERENTIAL (LIMITED SLIP G85)

Call	Group	H	Description	Usage	Year	Qty
1	06.061		SEAL, FRT WHL DRV SHF OIL (ACDelco #55353153) (Service Lane Part)	A (MU3)	2005 - 2010	02
2	DISCON		BEARING, FRT DIFF	A (MU3)	2005 - 2010	02
3	NS		BOLT, FRT DIFF R/GR		2008 - 2010	
3	05.531		BOLT, FRT DIFF R/GR		2008 - 2010	
4	05.529		GEAR, FRT DIFF RING (**VPI 1-877-846-8243)	A (MU3)	2008 - 2010	01
5	05.505		DIFFERENTIAL, FRT (**VPI 1-877-846-8243)	A (MU3,G85)	2005 - 2010	01
6	05.537		SHIM, FRT DIFF BRG (0.1MM) (Service Lane Part)	A (MU3)	2005 - 2010	01
6	05.537		SHIM, FRT DIFF BRG (0.15MM) (Service Lane Part)	A (MU3)	2005 - 2010	01
6	05.537		SHIM, FRT DIFF BRG (0.3MM) (Service Lane Part)	A (MU3)	2005 - 2010	01
6	05.537		SHIM, FRT DIFF BRG (0.5MM) (Service Lane Part)	A (MU3)	2005 - 2010	01
6	05.537		SHIM, FRT DIFF BRG (1.0MM) (Service Lane Part)	A (MU3)	2005 - 2010	01
7	05.537		SEAL, FRT DIFF BRG RET (O RING) (ACDelco #90486232) (Service Lane Part)	A (MU3)	2005 - 2010	01
8	05.537		RETAINER, FRT DIFF BRG (6.056) (ACDelco #90543263) (Service Lane Part)	A (MU3)	2005 - 2010	01
9	04.105		BOLT, TRANS CVR (Service Lane Part)	A (MU3)	2005 - 2010	05