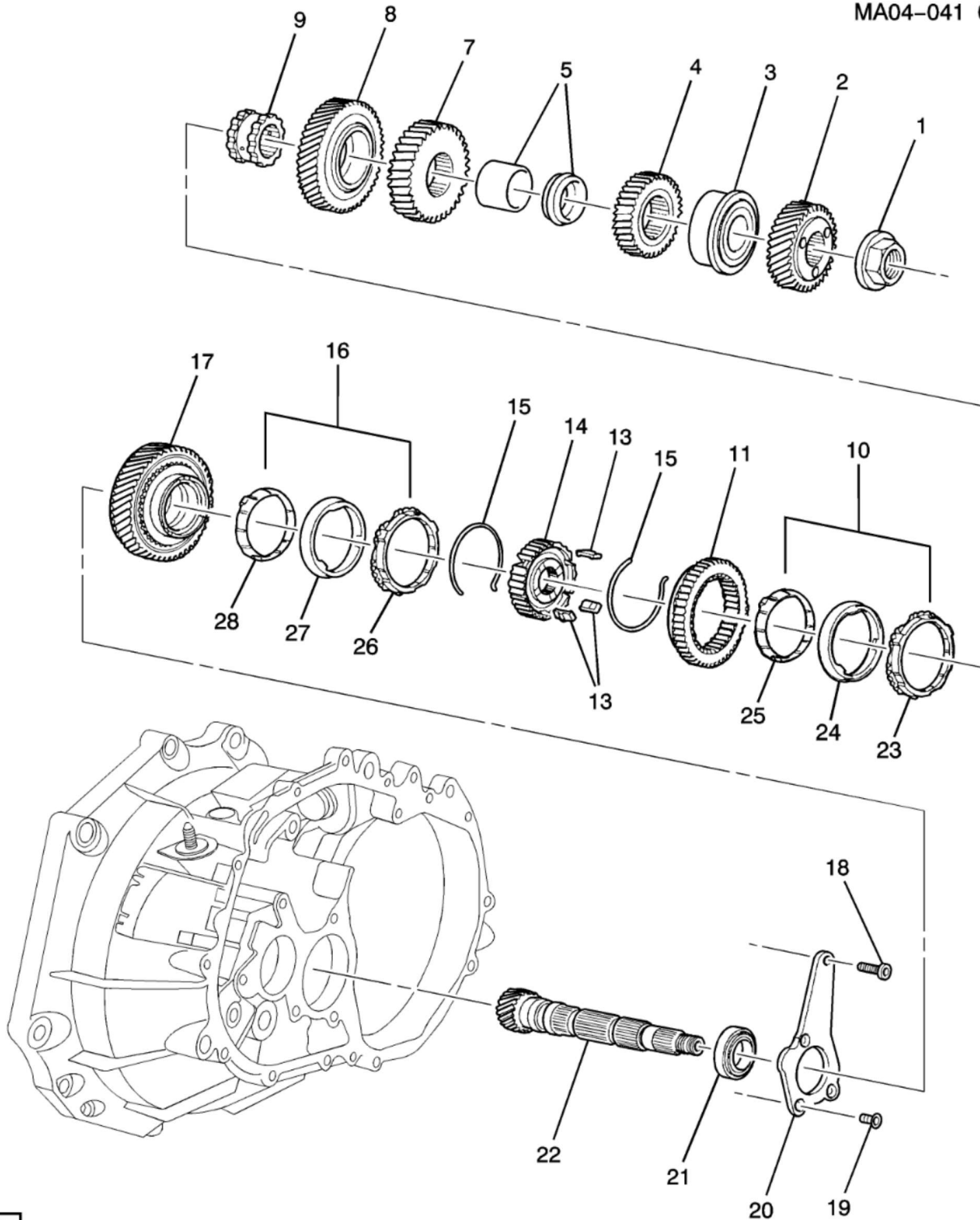


C - Chevrolet>2009>A - 1A1 - Cobalt>04 - 5-SPEED MANUAL TRANSMISSION>(MA04-041) 2005-2010 AP 5-SPEED MANUAL TRANSAXLE (MU3) PART 4 OUTPUT SHAFT AND COMPONENTS

MA04-041 02/22/2008



C - Chevrolet>2009>A - 1A1 - Cobalt>04 - 5-SPEED MANUAL TRANSMISSION>(MA04-041) 2005-2010 AP 5-SPEED MANUAL TRANSAXLE (MU3) PART 4 OUTPUT SHAFT AND COMPONENTS

Call	Group	H	Description	Usage	Year	Qty
1	DISCON		NUT, 5TH GR	A (MU3)	2005 - 2010	01
2	04.415		GEAR, 5TH (Service Lane Part)	A (LNF,MU3,F19)	2008 - 2009	01
3	04.408		BEARING, MAIN SHF RR (Service Lane Part)	A (MU3)	2005 - 2010	01
4	04.415		GEAR, 4TH (Service Lane Part)	A (MU3)	2005 - 2010	01
5	04.416		SPACER, 3RD & 4TH GR (4.384) (Service Lane Part)	A (MU3)	2005 - 2010	01
7	04.415		GEAR, 3RD (DRIVEN) (Service Lane Part)	A (MU3)	2005 - 2010	01
8	04.395		GEAR, 2ND (INCLS RING) (Service Lane Part)	A (MU3)	2005 - 2010	01
9	04.416		SPACER, MAIN SHF BRG (4.397) (Service Lane Part)	A (MU3)	2005 - 2010	01
10	04.380		SYNCHRONIZER, 1ST & 2ND GR (INCLS 23-25) (Service Lane Part)	A (MU3)	2005 - 2010	01
11	04.384		SLEEVE, 1ST & 2ND GR SYN (Service Lane Part)	A (MU3)	2005 - 2010	01
13	04.384		INSERT, 1ST & 2ND GR SYN (Service Lane Part)	A (MU3)	2005 - 2010	03
14	04.384		HUB, 1ST & 2ND GR SYN (Service Lane Part)	A (MU3)	2005 - 2010	01
15	04.384		SPRING, 1ST GR SYN (0.386) (Service Lane Part)	A (MU3)	2005 - 2010	02
16	04.380		SYNCHRONIZER, 1ST & 2ND GR (INCLS 26-28) (PART OF 17) (Service Lane Part)	A (MU3)	2005 - 2010	01
17	04.417		GEAR KIT, 1ST (INCLS 16,26-28) (Service Lane Part)	A (MU3)	2005 - 2010	01
18	04.435		BOLT, REV IDLER GR SHF (4.105) (Service Lane Part)	A (MU3)	2005 - 2010	01
19	04.412		BOLT, MAIN SHF BRG RET (Service Lane Part)	A (MU3)	2005 - 2010	03
20	04.412		RETAINER, MAIN SHF BRG (4.176) (Service Lane Part)	A (MU3)	2005 - 2010	01
21	DISCON		BEARING, MAIN SHF FRT	A (MU3)	2005 - 2010	01

Call	Group	H	Description	Usage	Year	Qty
22	04.403		SHAFT, MAIN (Service Lane Part)	A (MU3)	2008 - 2010	01
23	NS		CONE, 1ST GR SYN (PART OF 10)		2005 - 2010	
24	DISCON		CONE, 1ST GR SYN OTR (PART OF 10)	A (MU3)	2005 - 2010	02
25	DISCON		CONE, 1ST GR SYN INR (PART OF 10)	A (MU3)	2005 - 2010	01
26	NS		CONE, 1ST GR SYN (PART OF 16,17)		2005 - 2010	
27	DISCON		CONE, 1ST GR SYN OTR (PART OF 16,17)	A (MU3)	2005 - 2010	02
28	DISCON		CONE, 1ST GR SYN INR (PART OF 16,17)	A (MU3)	2005 - 2010	01