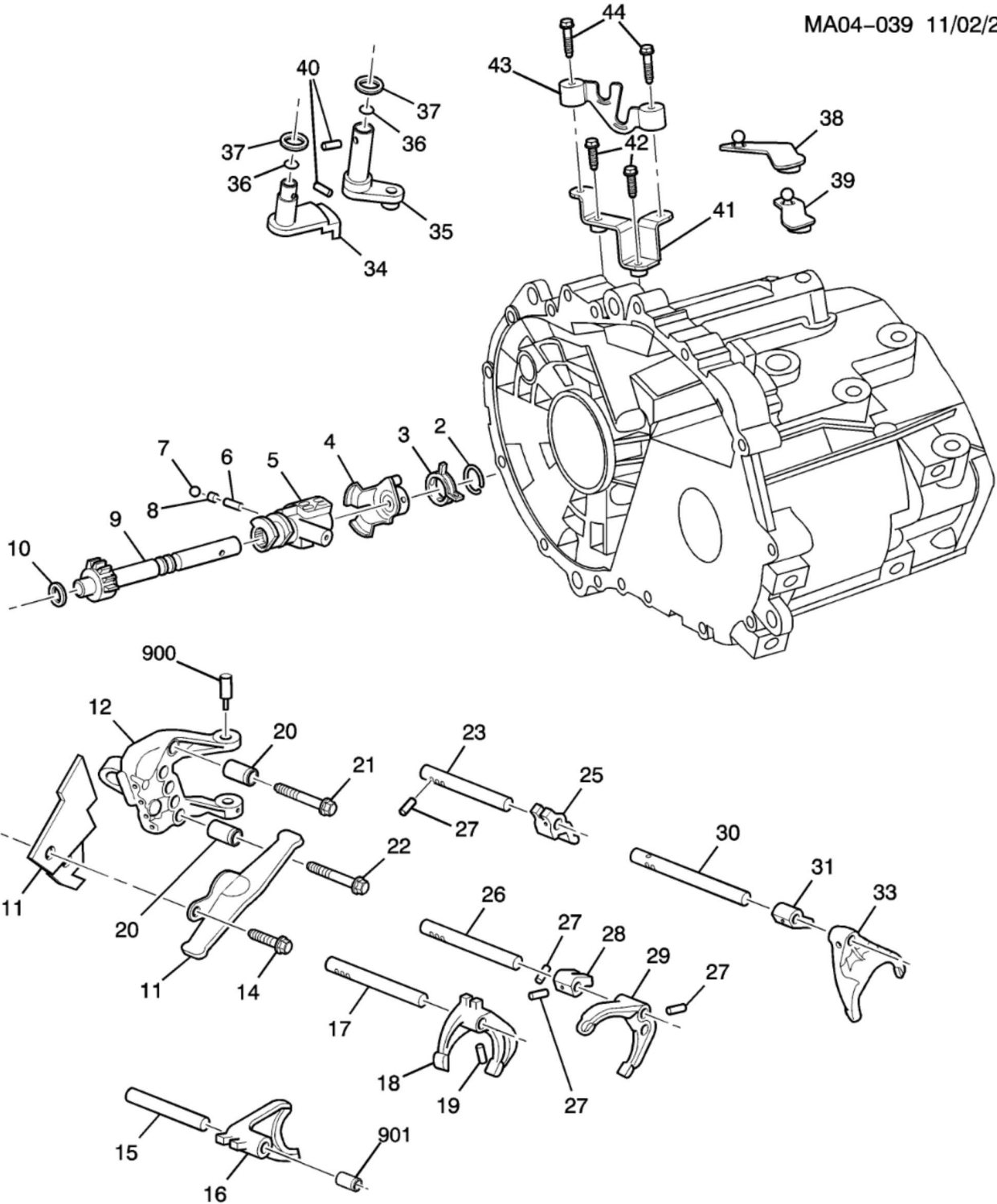


C - Chevrolet>2009>A - 1A1 - Cobalt>04 - 5-SPEED MANUAL TRANSMISSION>(MA04-039) 2005-2010 AP 5-SPEED MANUAL TRANSAXLE (MU3) PART 2 SHIFTER FORKS AND COMPONENTS

MA04-039 11/02/2009



C - Chevrolet>2009>A - 1A1 - Cobalt>04 - 5-SPEED MANUAL TRANSMISSION>(MA04-039) 2005-2010 AP 5-SPEED MANUAL TRANSAXLE (MU3) PART 2 SHIFTER FORKS AND COMPONENTS

Call	Group	H	Description	Usage	Year	Qty
2	04.302		RING, SHFT CONT LVR RET (4.307) (Service Lane Part)	A (MU3)	2005 - 2010	01
3	04.302		SPRING, SHFT CONT LVR (TORSIONAL) (4.311) (Service Lane Part)	A	2005 - 2010	01
4	04.006		LEVER, SHFT CONT (4.303) (Service Lane Part)	A (MU3)	2005 - 2010	01
5	04.010		HOUSING, SHFT CONT (INCLS 8) (Service Lane Part)	A (MU3)	2005 - 2010	01
6	04.302		SPRING, SHFT CONT LVR (COMPRESSION) (4.311) (Service Lane Part)	A	2005 - 2010	01
7	04.307		BALL, SHFT SHF DTNT		2005 - 2010	
8	04.311		BUSHING, SHFT SHF DTNT (PART OF 5) (Service Lane Part)	A (MU3)	2005 - 2010	01
9	04.309		SHAFT, SHFT CONT LVR (Service Lane Part)	A (MU3)	2005 - 2010	01
10	04.302		WASHER, SHFT CONT SHF (Service Lane Part)	A (MU3)	2005 - 2009	01
11	04.302		LEVER, SHFT CONT SHF DTNT (Service Lane Part)	A (MU3)	2005 - 2010	01
12	04.302		BRACKET, SHFT CONT LVR (INCLS 20) (4.303) (Service Lane Part)	A (MU3)	2005 - 2010	01
14	04.302		BOLT, SHFT LVR (Service Lane Part)	A (MU3)	2005 - 2010	01
15	04.309		SHAFT, REV SHFT (FORK) (Service Lane Part)	A (MU3)	2005 - 2010	01
16	04.303		FORK, REV SHFT (INCLS 901) (Service Lane Part)	A (MU3)	2005 - 2010	01
17	04.309		SHAFT, 1ST & 2ND SHFT (Service Lane Part)	A (MU3)	2005 - 2010	01
18	04.303		FORK, 1ST & 2ND SHFT (Service Lane Part)	A (MU3)	2005 - 2010	01
19	04.302		PIN, SHFT CONT LVR (4.307) (Service Lane Part)	A (MU3)	2005 - 2010	07
20	04.302		BUSHING, SHFT CONT LVR BRKT (PART OF 12) (4.303) (Service Lane Part)	A (MU3)	2005 - 2010	02
21	04.010		BOLT, SHFT CONT LVR BRKT (Service Lane Part)	A (MU3)	2006 - 2010	02

Call	Group	H	Description	Usage	Year	Qty
22	04.435		BOLT, REV IDLER GR SHF BRKT (4.010) (Service Lane Part)	A (MU3)	2005 - 2010	01
23	04.309		SHAFT, REV INTLK (Service Lane Part)	A (MU3)	2005 - 2010	01
25	04.302		LEVER, REV SHFT (Service Lane Part)	A (MU3)	2005 - 2010	01
26	04.309		SHAFT, 3RD & 4TH SHFT (Service Lane Part)	A (MU3)	2005 - 2010	01
27	04.302		PIN, SHFT CONT LVR (4.307) (Service Lane Part)	A (MU3)	2005 - 2010	07
28	04.303		BLOCK, 3RD & 4TH SHFT (4.302) (Service Lane Part)	A (MU3)	2005 - 2010	01
29	04.303		FORK, 3RD & 4TH SHFT (Service Lane Part)	A (MU3)	2005 - 2010	01
30	04.309		SHAFT, 5TH SHFT (Service Lane Part)	A (MU3)	2005 - 2010	01
31	04.303		BLOCK, 5TH SHFT (Service Lane Part)	A (MU3)	2005 - 2010	01
33	04.303		FORK, 5TH SHFT (Service Lane Part)	A (MU3)	2005 - 2010	01
34	04.045		LEVER, M/TRNS SEL (4.302) (Service Lane Part)	A (MU3)	2005 - 2010	01
35	04.302		SHAFT, SHFT CONT (Service Lane Part)	A (MU3)	2005 - 2009	01
36	04.012		GASKET, M/TRNS SEL LVR (4.311) (Service Lane Part)	A (MU3)	2005 - 2009	02
37	04.012		WASHER, M/TRNS SEL LVR (4.302) (Service Lane Part)	A (MU3)	2005 - 2010	02
38	04.302		LEVER, SHFT CONT (Service Lane Part)	A (MU3)	2008 - 2010	01
39	04.302		LEVER, SEL CONT (Service Lane Part)	A (MU3)	2008 - 2010	01
40	04.302		PIN, SEL CONT LVR (Service Lane Part)	A (MU3)	2005 - 2010	02
41	04.010		BRACKET, M/TRNS CONT (INCLS 43,44) (Service Lane Part)	A (MU3)	2008 - 2010	01
42	04.010		BOLT, SHFT CONT LVR BRKT (Service Lane Part)	A (MU3)	2006 - 2010	02
43	NS		BRACKET, M/TRNS SEL & SHFT LVR CBL UPR (PART OF 41)		2005 - 2010	
44	NS		BOLT, M/TRNS SEL & SHFT LVR CBL UPR BRKT (PART OF 41)		2005 - 2010	
900	04.303		GUIDE, SHFT CONT SHF BLK (Service Lane Part)	A (MU3)	2005 - 2010	01

Call	Group	H	Description	Usage	Year	Qty
901	04.302		BUSHING, SHFT CONT LVR BRKT (PART OF 16) (4.384) (Service Lane Part)	A (MU3)	2005 - 2010	05