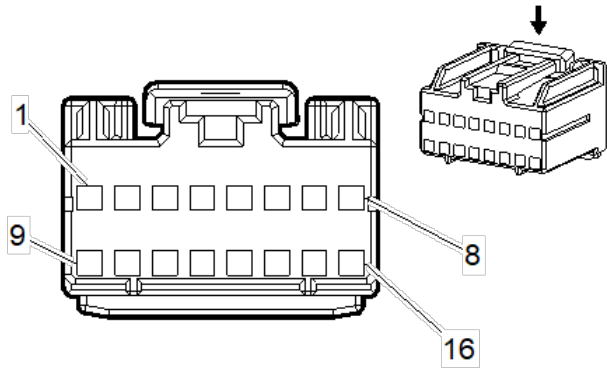


Inside Rearview Mirror (UE1)



Connector Part Information

- OEM: 15441350
- Service: 15306351
- Description: 16-Way F Micro HVT (BK)

Terminal Part Information

- Pins: 1, 6, 8, 9, 11 – 15
- Terminal/Tray: 15445905/23
- Core/Insulation Crimp: Pins 1, 6, 8, 9, 11, 12, 14, 15: J/J
- Core/Insulation Crimp: Pins 13: K/K
- Release Tool/Test Probe: 12180559/J-35616-6 (BN)

Inside Rearview Mirror (UE1)

Pin	Wire Color	Circuit No.	Function
1	GY	157	Courtesy Lamp Control
2-5	—	—	Not Used
6	D-BU/WH	149	Courtesy Lamp Supply Voltage
7	—	—	Not Used
8	BK	750	Ground
9	L-GN	24	Backup Lamp Supply Voltage
10	—	—	Not Used
11	D-GN/WH	2514	Keypad Signal
12	L-GN/BK	2515	Keypad Supply Voltage
13	D-GN	1301	RAP [Relay 32] Fuse Supply Voltage
14	YE/BK	2516	Keypad Green LED Signal
15	BN/WH	2517	Keypad Red LED Signal
16	—	—	Not Used