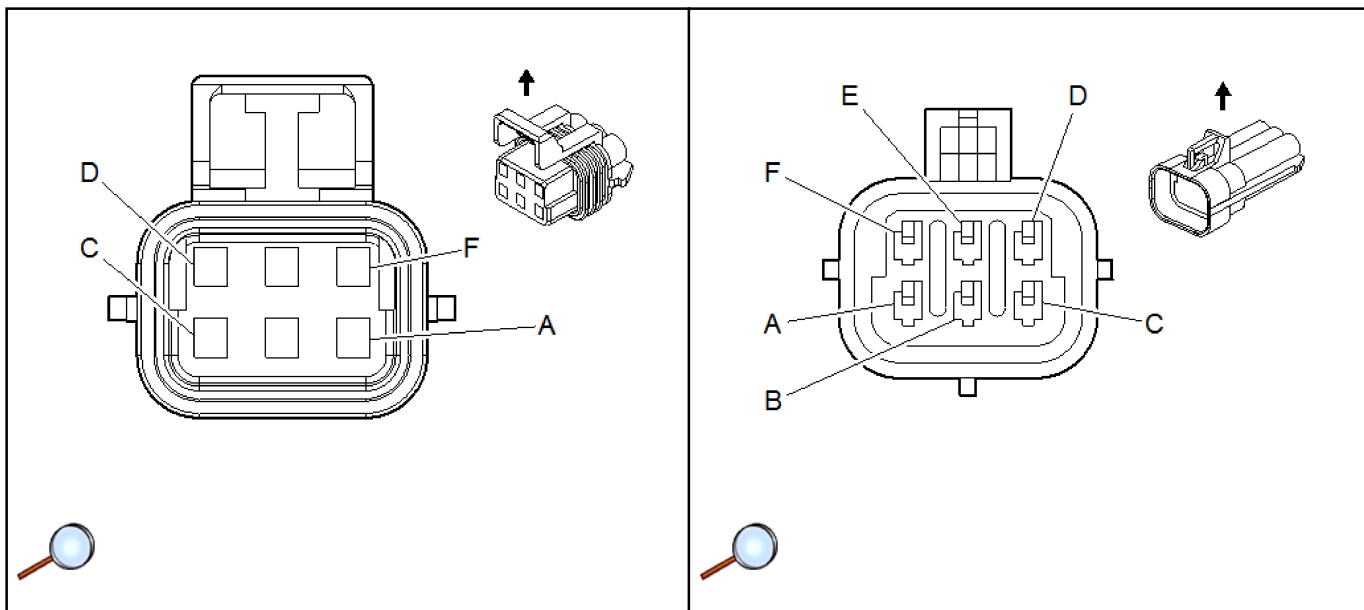


**C110 Forward Lamp Harness to the Right Headlamp Assembly**



**Connector Part Information**

- OEM: 12052848
- Service: 12101854
- Description: 6-Way F Metri-Pack 150 Series Sealed (BK)

**Terminal Part Information**

- Terminal/Tray: 12048074/2
- Core/Insulation Crimp: E/1
- Release Tool/Test Probe: 12094429/J-35616-2A (GY)

**Connector Part Information**

- OEM: 12052849
- Service: 12101852
- Description: 6-Way M Metri-Pack 150 Series Sealed (BK)

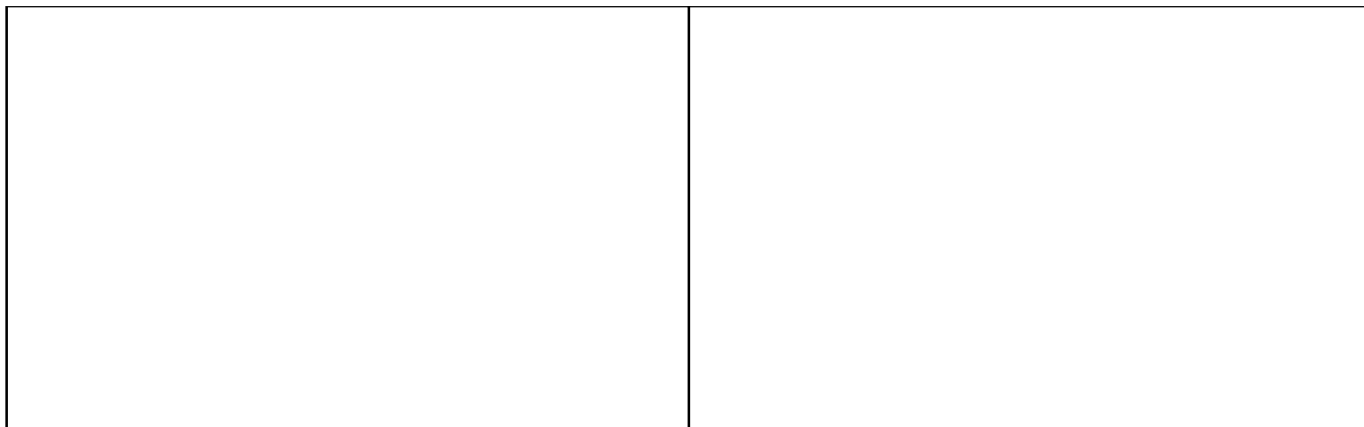
**Terminal Part Information**

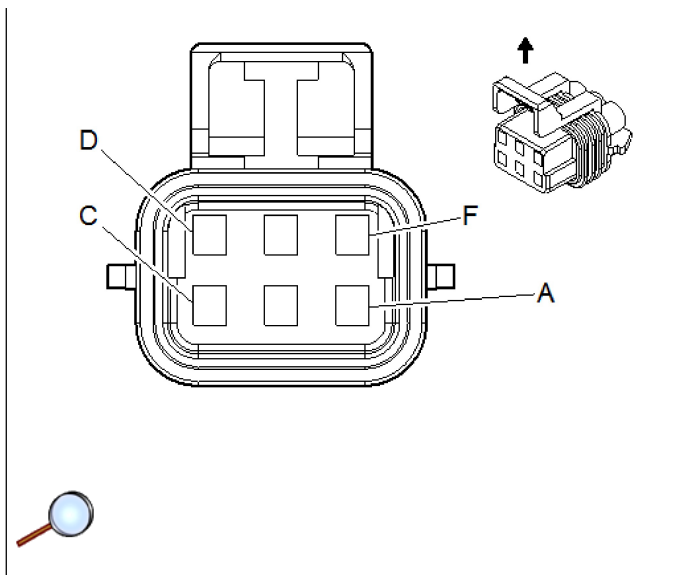
- Terminal/Tray: See Terminal Repair Kit
- Core/Insulation Crimp: See Terminal Repair Kit
- Release Tool/Test Probe: See Terminal Repair Kit

**C110 Forward Lamp Harness to the Right Headlamp Assembly**

Pin	Wire Color	Circuit No.	Function	Pin	Wire Color	Circuit No.	Function
A	BK	250	Ground	A	BK	250	Ground
B	D-BU	15	Right Turn Signal Lamp Supply Voltage	B	L-BU	15	Right Turn Signal Lamp Supply Voltage
C	BN	9	Park Lamp Supply Voltage	C	BN	9	Park Lamp Supply Voltage
D	TN/WH	312	Right Headlamp Low Beam Supply Voltage	D	OG	312	Right Headlamp Low Beam Supply Voltage
E	L-GN/BK	311	Right Headlamp High Beam Supply Voltage	E	PK	311	Right Headlamp High Beam Supply Voltage
F	—	—	Not Used	F	—	—	Not Used

**C111 Forward Lamp Harness to the Left Headlamp Assembly**



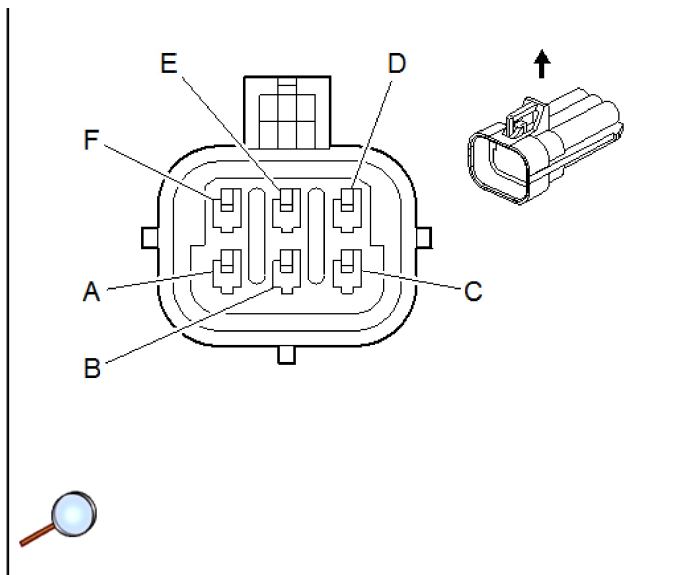


**Connector Part Information**

- OEM: 12052848
- Service: 12101854
- Description: 6-Way F Metri-Pack 150 Series Sealed (BK)

**Terminal Part Information**

- Terminal/Tray: 12048074/2
- Core/Insulation Crimp: E/1
- Release Tool/Test Probe: 12094429/J-35616-2A (GY)



**Connector Part Information**

- OEM: 12052849
- Service: 12101852
- Description: 6-Way M Metri-Pack 150 Series Sealed (BK)

**Terminal Part Information**

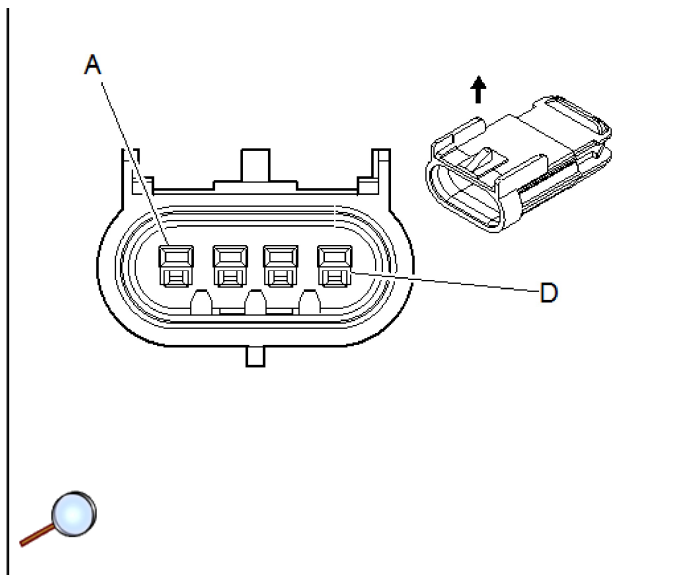
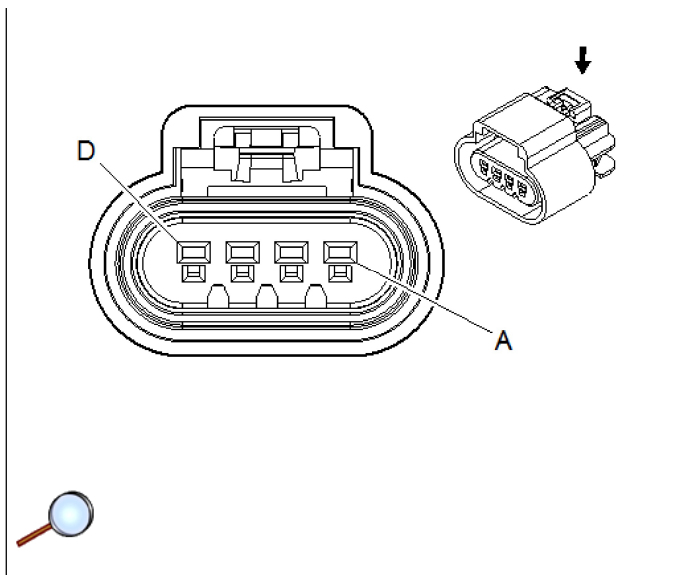
- Terminal/Tray: See Terminal Repair Kit
- Core/Insulation Crimp: See Terminal Repair Kit
- Release Tool/Test Probe: See Terminal Repair Kit

**C111 Forward Lamp Harness to the Left Headlamp Assembly**

Pin	Wire Color	Circuit No.	Function	Pin	Wire Color	Circuit No.	Function
A	BK	150	Ground	A	BK	150	Ground
B	L-BU	14	Left Turn Signal Lamp Supply Voltage	B	L-BU	14	Left Turn Signal Lamp Supply Voltage
C	BN	9	Park Lamp Supply Voltage	C	BN	9	Park Lamp Supply Voltage
D	YE	712	Left Headlamp Low Beam Supply Voltage	D	OG	712	Left Headlamp Low Beam Supply Voltage
E	D-GN/WH	711	Left Headlamp High Beam Supply Voltage	E	PK	711	Left Headlamp High Beam Supply Voltage
F	—	—	Not Used	F	—	—	Not Used

**C121 Forward Lamp Harness to the Body Harness**

--	--



**Connector Part Information**

- OEM: 15326815
- Service: 15306396
- Description: 4-Way F GT 150 Series Sealed (BK)

**Terminal Part Information**

- Terminal/Tray: 12191819/8
- Core/Insulation Crimp: E/A
- Release Tool/Test Probe: 15315247/J-35616-2A (GY)

**Connector Part Information**

- OEM: 15326820
- Service: 15326820
- Description: 4-Way M GT 150 Series Sealed (BK)

**Terminal Part Information**

- Terminal/Tray: 15326269/19
- Core/Insulation Crimp: E/4
- Release Tool/Test Probe: 15315247/J-35616-3 (GY)

**C121 Forward Lamp Harness to the Body Harness**

Pin	Wire Color	Circuit No.	Function	Pin	Wire Color	Circuit No.	Function
A	YE	1834	Forward Discriminating Sensor Signal	A	YE	1834	Forward Discriminating Sensor Signal
B	TN/OG	5045	Discriminating Sensor - Low Reference	B	TN/OG	5045	Discriminating Sensor - Low Reference
C	D-GN/WH	636	Ambient Air Temperature Sensor Signal	C	D-GN/WH	636	Ambient Air Temperature Sensor Signal
D	YE/BK	61	Low Reference	D	YE/BK	61	Low Reference