

## #PIP4520: Low Boost / Power And/Or DTC P0299 Or P0101 - keywords actuator boost CAC charge control cooler driveability DTC ECM engine gas Inf low maf MIL reduced reducedpwmde SES wastegate - (Nov 4, 2008)

**Subject: Low Boost/Power and/or DTC P0299 or P0101**

**Models: 2008-2009 Chevrolet Cobalt SS Only**  
**2008-2009 Chevrolet HHR SS Only**  
**2007-2009 Pontiac Solstice GXP**  
**2007-2009 Saturn Sky Redline**  
**With Engine RPO LNF Only**



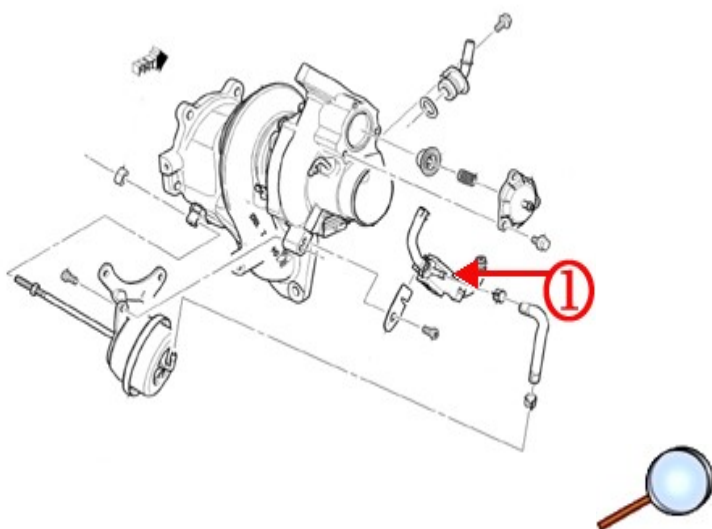
The following diagnosis might be helpful if the vehicle exhibits the symptom(s) described in this PI.

### Condition/Concern:

A technician may encounter a vehicle with a low boost/power condition and/or DTC P0299 and or P0101 setting. This may be the result of a cracked or broken fitting at the turbocharger assembly.

### Recommendation/Instructions:

It has been determined that the nipple for the turbocharger wastegate actuator may be damaged causing this condition. If this concern is noted please inspect the area on the underside of the turbo compressor housing for the wastegate actuator solenoid valve. The nipple (see CALLOUT #1) may have been damaged causing a loss of boost pressure. It may be necessary to remove the charge air duct for a closer inspection. See eSI "Turbocharger Wastegate Actuator Replacement" for solenoid replacement procedure.



This solenoid is available separate from the turbocharger and should be replaced as a sub assembly. Do not replace the turbocharger assembly.

Please follow this diagnostic or repair process thoroughly and complete each step. If the condition exhibited is resolved without completing every step, the remaining steps do not need to be performed.

© 2018 General Motors. All rights reserved.

GM bulletins are intended for use by professional technicians, NOT a "do-it-yourselfer". They are written to inform these technicians of conditions that may occur on some vehicles, or to provide information that could assist in the proper service of a vehicle. Properly trained technicians have the equipment, tools, safety instructions, and know-how to do a job properly and safely. If a condition is described, DO NOT assume that the bulletin applies to your vehicle, or that your vehicle will have that condition. See your GM dealer for information on whether your vehicle may benefit from the information.



WE SUPPORT  
VOLUNTARY  
TECHNICIAN  
CERTIFICATION