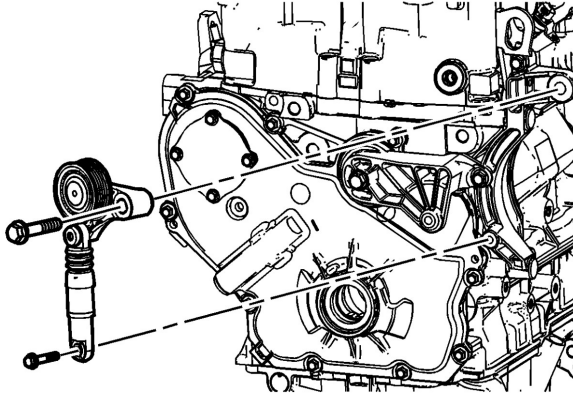


Supercharger Belt Tensioner Replacement

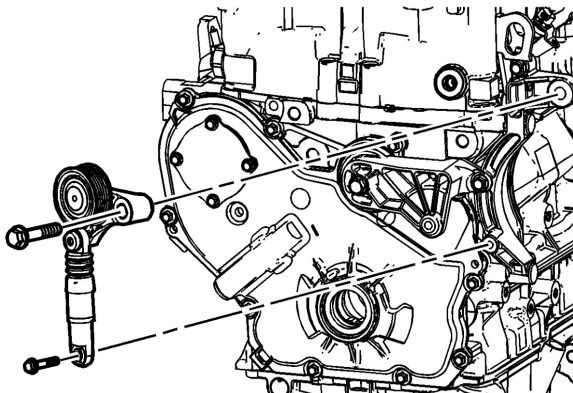
Removal Procedure

1. Remove the drive belt. Refer to [Drive Belt Replacement](#).



2. Remove the drive belt tensioner bolts.
3. Remove the drive belt tensioner.

Installation Procedure



1. Install the drive belt tensioner.
2. Install the drive belt tensioner bolts.

Tighten

Tighten the drive belt tensioner bolts to 45 N•m (33 lb ft).

© 2018 General Motors. All rights reserved.

3. Install the drive belt. Refer to [Drive Belt Replacement](#).