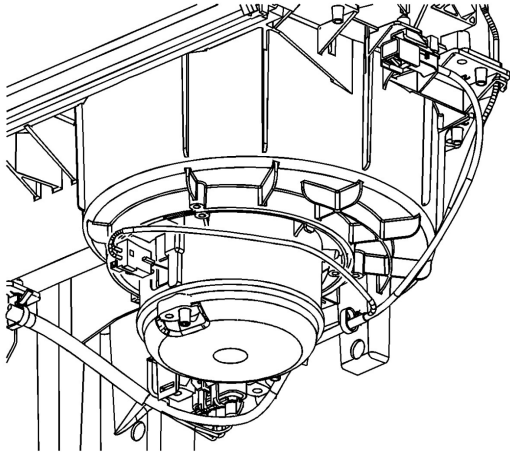
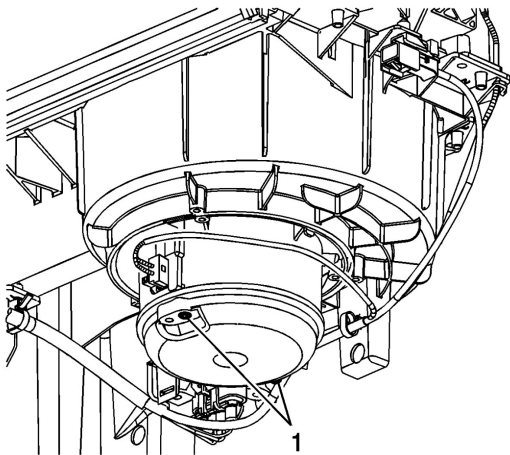


# Blower Motor Replacement

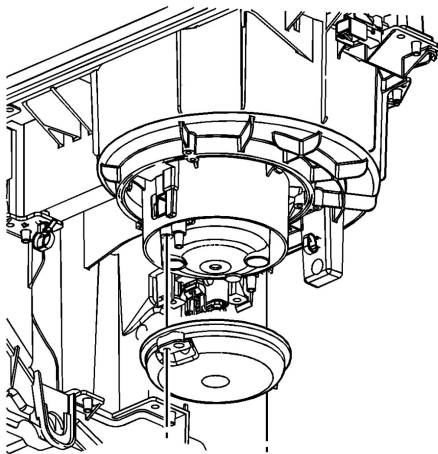
## Removal Procedure



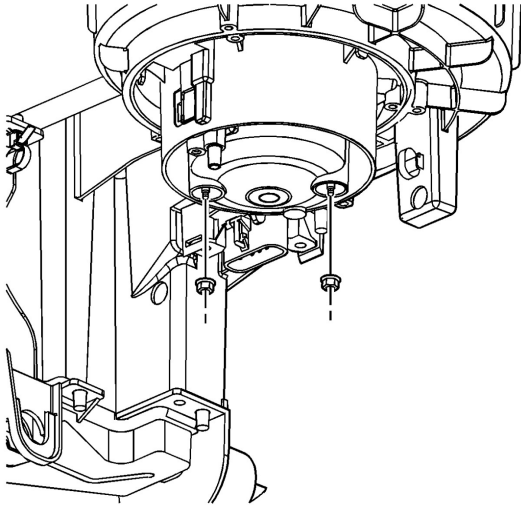
1. Disconnect the blower motor electrical connector.



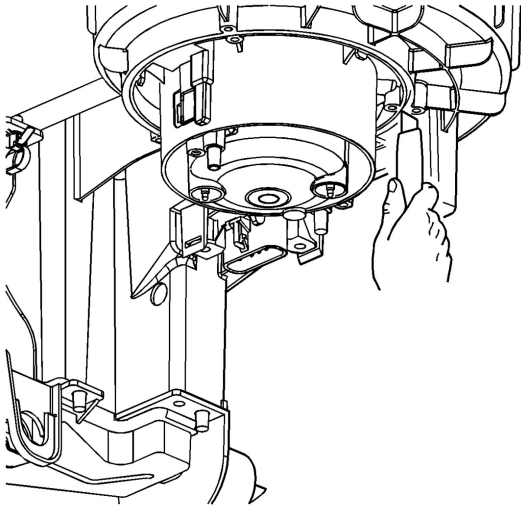
2. Remove the lower blower motor cover heat stakes (1) with a small chisel.



3. Remove the lower blower motor cover.

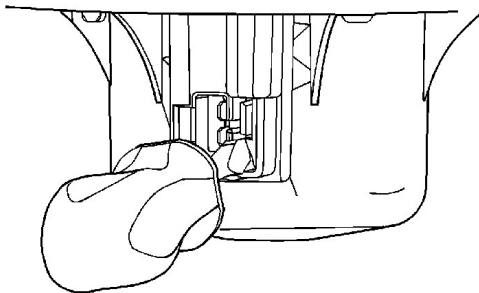


4. Remove the blower motor nuts.



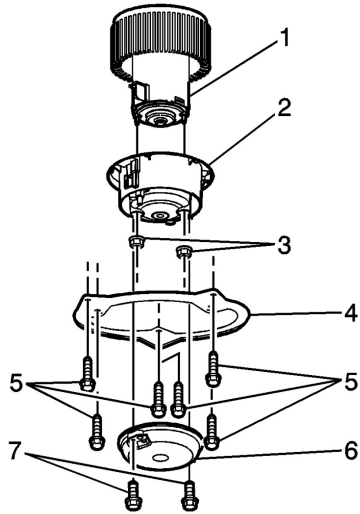
**Note:** Cut through the case as straight as possible because the motor cup must be reused. In order to prevent damage to the component, do not cut any deeper than necessary to remove the motor cup.

5. Remove the blower motor and cup from the lower case by cutting through the case between the circular ribs around the motor with a sharp utility knife.



6. Release the blower motor retaining tab and remove the motor from the cup.

## Installation Procedure



1. Install the blower motor (1) into the motor cup (2) that was cut out of the lower case.

**Caution:** Refer to [Fastener Caution](#).

2. Install the blower motor nuts (3).

**Tighten**

Tighten the nuts to 2.4 N•m (21 lb in).

3. Attach the service ring (4) to the motor cup (2) with the screws (5) included in the kit.

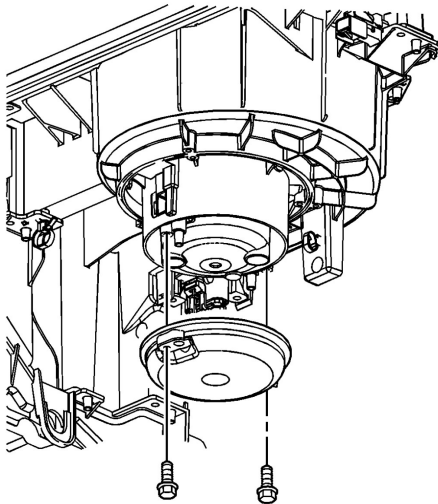
**Tighten**

Tighten the screws to 1.8 N•m (15 lb in).

4. Install the blower motor and service ring into the HVAC module using the screws (5) included in the kit. Make certain the blower motor electrical connector is pointing rearward in the vehicle.

**Tighten**

Tighten the screws to 1.8 N•m (15 lb in).

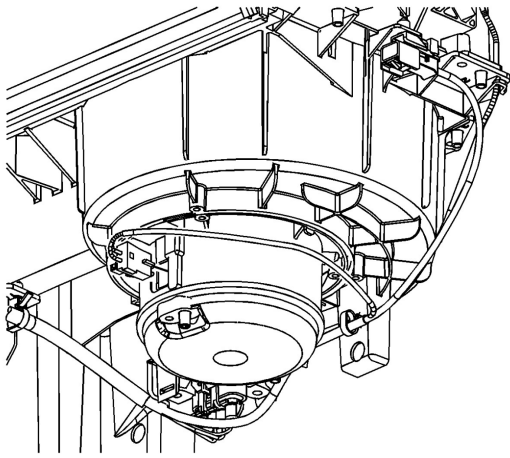


5. Install the lower blower motor cover.

6. Install the lower blower motor cover retaining screws.

**Tighten**

Tighten the screws to 1.8 N•m (15 lb in).



7. Connect the blower motor electrical connector.