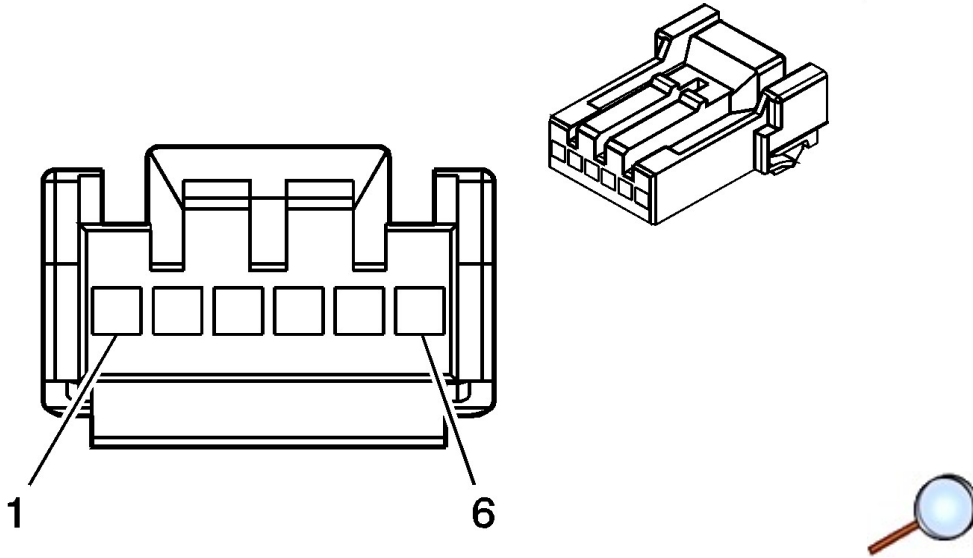


Power and Grounding Connector End Views

Ignition Switch



Connector Part Information

- OEM: 15324806
- Service: 88987854
- Description: 6-Way F 035 Series ILAG5 (GN)

Terminal Part Information

- Terminal/Tray: IL-AG5-C1-5000 /20
- Core/Insulation Crimp: K/K
- Release Tool/Test Probe: J-38125-211/J-35616-64B (L-BU)

Ignition Switch

Pin	Wire Color	Circuit No.	Function
1	—	—	Not Used
2	RD/WH	1040	Battery Positive Voltage
3	YE	5199	Run/Crank Voltage
4	BN	4	Accessory Voltage
5	WH	1390	Off/Run/Crank Voltage
6	WH/BK	1073	Key-In Ignition Switch