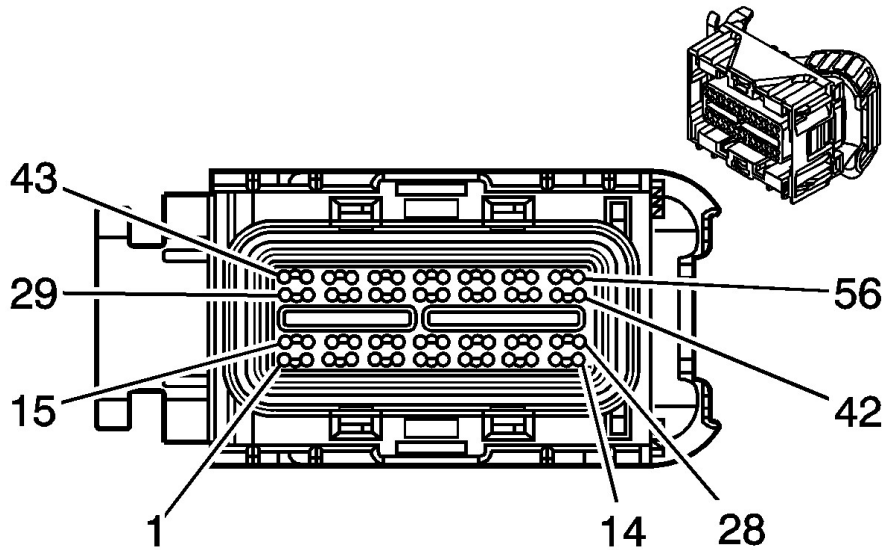


Powertrain Control Module (PCM) C1



Connector Part Information

- OEM: 15452125
- Service: 88953346
- Description: 56-Way F Micro 64 Sealed (BU)

Terminal Part Information

- Terminal/Tray: See Terminal Repair Kit
- Core/Insulation Crimp: See Terminal Repair Kit
- Release Tool/Test Probe: See Terminal Repair Kit

Powertrain Control Module (PCM) C1

Pin	Wire Color	Circuit No.	Function
1	TN/BK	2500	High Speed GMLAN Serial Data (+)
2	TN	2501	High Speed GMLAN Serial Data (-)
3-5	—	—	Not Used
6	D-GN/WH	459	A/C Compressor Clutch Relay Control
7	BN	1271	Low Reference
8	PU	1272	Low Reference
9	—	—	Not Used

Pin	Wire Color	Circuit No.	Function
10	D-BU	473	High Speed Cooling Fan Relay Control
11	—	—	Not Used
12	PU	1589	Fuel Level Sensor Signal
13	PK/BK	5293	Ignition 1 Voltage
14	L-BU	6118	IAT 2 Sensor Signal
15	—	—	Not Used
16	D-GN	1049	ECM/PCM/VCM Class 2 Serial Data
17	GY	2700	5-Volt Reference-1
18	BN	4	Accessory Voltage
19	PK/BK	1039	Ignition 1 Voltage
20	RD/WH	840	Battery Positive Voltage
21	—	—	Not Used
22	WH	1310	EVAP Canister Vent Solenoid Control
23	—	—	Not Used
24	D-GN	890	Fuel Tank Pressure Sensor Signal
25	—	—	Not Used
26	OG/BK	380	A/C Refrigerant Pressure Sensor Signal
27	D-BU	1161	APP Sensor 1 Signal
28	—	—	Not Used
29	TN	2759	Low Reference
30	WH/BK	1164	5-Volt Reference-B
31	—	—	Not Used

Pin	Wire Color	Circuit No.	Function
32	L-BU	20	Stop Lamp Switch Signal
33	—	—	Not Used
34	PK	2014	Coolant Pump Relay Control
35-36	—	—	Not Used
37	D-GN/WH	465	Fuel Pump Relay Control
38	BN	5069	Powertrain Relay Control
39	—	—	Not Used
40	BN/WH	419	MIL Control
41	L-BU	1162	APP Sensor 2 Signal
42	—	—	Not Used
43	TN	1274	5-Volt Reference-1
44-45	—	—	Not Used
46	PU	420	TCC Brake Switch/Cruise Control Release Signal
47	GY	2709	5-Volt Reference-1
48	YE	447	Starter Relay Coil Control
49-50	—	—	Not Used
51	D-GN	335	Low Speed Cooling Fan Relay Control
52	—	—	Not Used
53	BN/WH	379	CPP Switch Signal
54	D-GN	1433	PNP/Clutch Start Switch Signal
55	—	—	Not Used
56	BK/WH	2751	Ground